



## 2-080.01 Swinghandle SOFTLINE RS PrB



### Advantages

- Swinghandle SOFTLINE with liftable operating lever.
- 90° Closing rotation.
- The swinghandle can be locked with 40mm long profile-cylinders (DIN 18252), cylinder or insert. Cylinder cam on 45° or 90°.
- Locking stub is included in handle-assembly.
- Available with two different sliding dustcovers.
- IP65 according to DIN 60529 - version dish with cap. For non IP65 applications - version dish with hook.
- RH / LH application.
- Grounding by grounding clip (optional).

### Materials

- **Swinghandle, dish, cap, sliding cover:** PA, black

### Remarks

(S) Door-thickness 1.5 - 2.5mm  
1. stroke 18mm  
2. clearance  
Inserts must be ordered separately.  
Version b), c) and d) for 40mm PHZ, key cylinder or insert.  
Version a1) and b1) for 40mm PHZ with protruding cylinder head.  
Version c) is supplied with 2 keys.

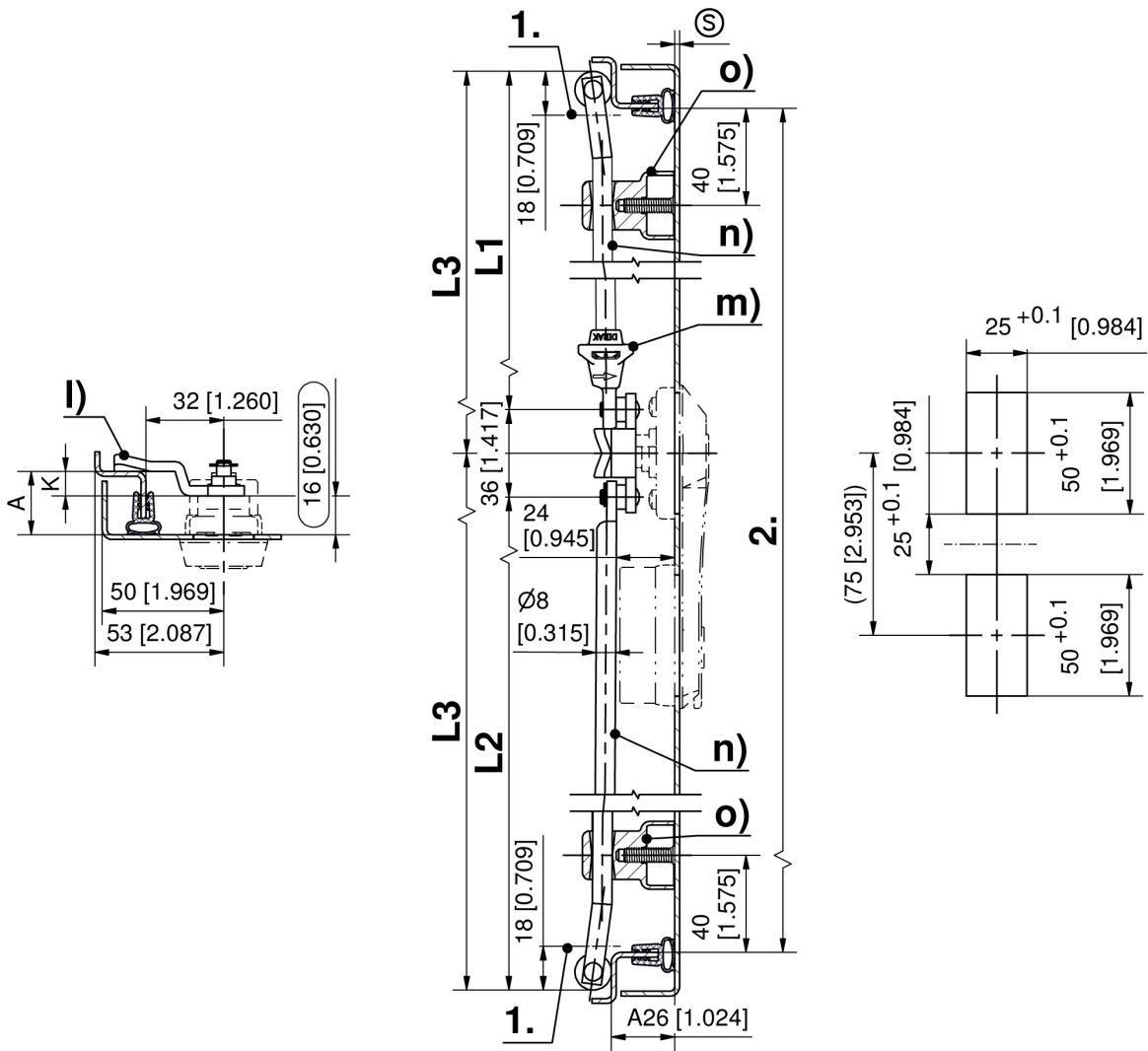
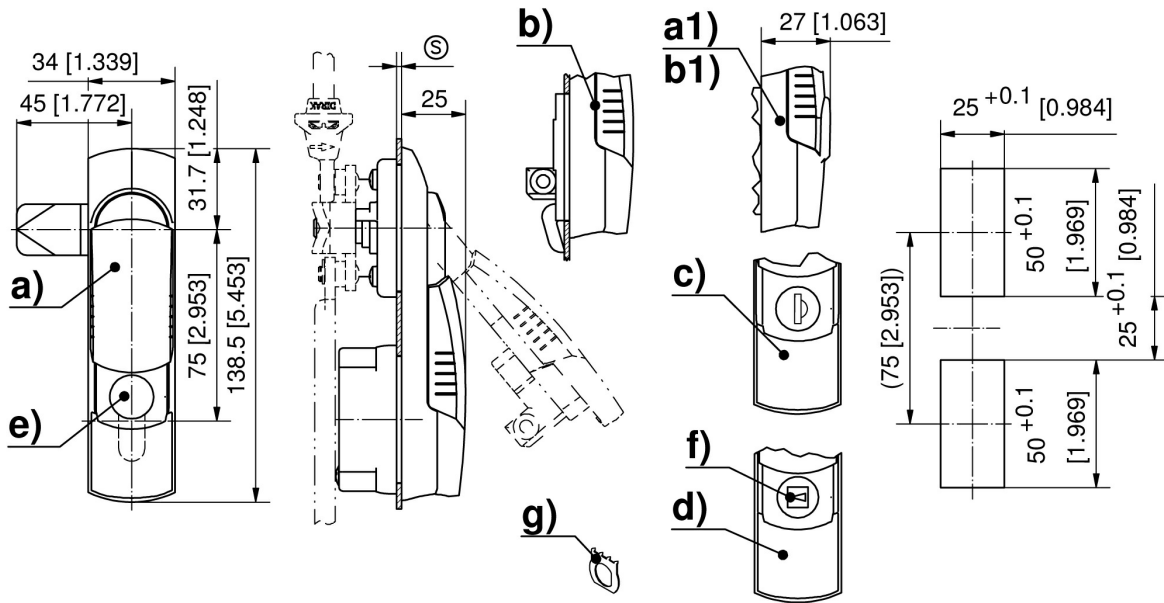


# Swinghandle

	Part Number	Latching type	Version	Dish	IP protection	Installation type	Delivery Unit
a)	407-9055.00-00000	for PHZ	for up to 2.5mm protruding cylinder head	with cap	IP65	screw-on	1 pc.
a1)	407-9056.00-00000	for PHZ	for up to 5mm protruding cylinder head	with cap	IP65	screw-on	1 pc.
b)	407-9045.00-00000	for PHZ	for up to 2.5mm protruding cylinder head	with hook		screw-on	1 pc.
b1)	407-9046.00-00000	for PHZ	for up to 5mm protruding cylinder head	with hook		screw-on	1 pc.
c)	407-9053.00-00000	keyed alike DIRAK 1333		with cap	IP65	screw-on	1 pc.
c)	507-9268.00-00000	keyed alike DS200		with cap	IP65	screw-on	1 pc.
c)	407-9054.00-00000	keyed different		with cap	IP65	screw-on	1 pc.
c)	407-9043.00-00000	keyed alike DIRAK 1333		with hook		screw-on	1 pc.
c)	507-9265.00-00000	keyed alike DS200		with hook		screw-on	1 pc.
c)	407-9044.00-00000	keyed different		with hook		screw-on	1 pc.
d)	407-9057.00-00000	for insert		with cap	IP65	screw-on	1 pc.
d)	407-9047.00-00000	for insert		with hook		screw-on	1 pc.

## \* Accessories

- e) 2-140 **Profile-Cylinder DIN 18252**
- f) 2-141 **Inserts**
- g) 3-011 **Grounding Clip Stainless Steel**
- l) 1-102 **Cams L35/45 Steel**
- l) 1-105 **Roller Cam height adjustable**
- l) 2-150 **3-Point Cam L45, Rod Control**
- m) 1-181 **Adapter for Round Rods Ø8mm PA**
- m) 1-181.01 **Adapter for Round Rods Ø8mm / Ø10mm Zinc Die**
- n) 1-170 **Round Rods with Eye**
- n) 1-180 **Round Rods for Adapter**
- o) 1-190 **Rod Guides RS**
- 6-100 **Wrenches and Keys**
- 6-101 **Universal key**



Formula for rods with eye and rollers:  
cutout in the door center (rod length varies)

$$L1 = \frac{\text{upper rod}}{2} \frac{2 \cdot \text{clearance} - 12\text{mm}[0.472]}{[0.079]} - 38 \text{ mm} [1.496] \quad L2 = \frac{\text{lower rod}}{2} \frac{2 \cdot \text{clearance} - 12\text{mm}[0.472]}{[0.079]} + 38 \text{ mm} [1.496]$$

cutout outside the door center (rod length equal)

$$L3 = \frac{2 \cdot \text{clearance} - 12\text{mm}[0.472]}{2[0.079]}$$