



2-090.02 Swinghandle RS PrC with Combination Lock



Avantages

- Swinghandle with liftable operating lever.
- 90° Closing rotation.
- Swinghandle can be locked by combination lock and assembled key cylinder with 2 keys.
- Modifying the combination only in opened state possible.
- IP65 according to DIN EN 60529 - version dish with cap.
- RH / LH application.
- Grounding by grounding nut (optional).

Materials

- **Handle:** zinc die, chrome plated or black or PA, black
- **Dish and cap:** PA, black
- **Shaft:** brass
- **Bearing plate:** zinc die, untreated
- **Seals:** NBR

Notes

(S) Door-thickness 1.5 - 2.5mm
Version c) two opening options:
1. with fixed number code for the combination lock
2. by turning the key in the cylinder.
The combination lock is and remains in locked position. The cylinder has the "override" function.
Drawings for rod calculation:
1. stroke 18mm
2. clearance
Alternative products see also 2-090, 2-090.01, 2-090.03, 2-090.04.

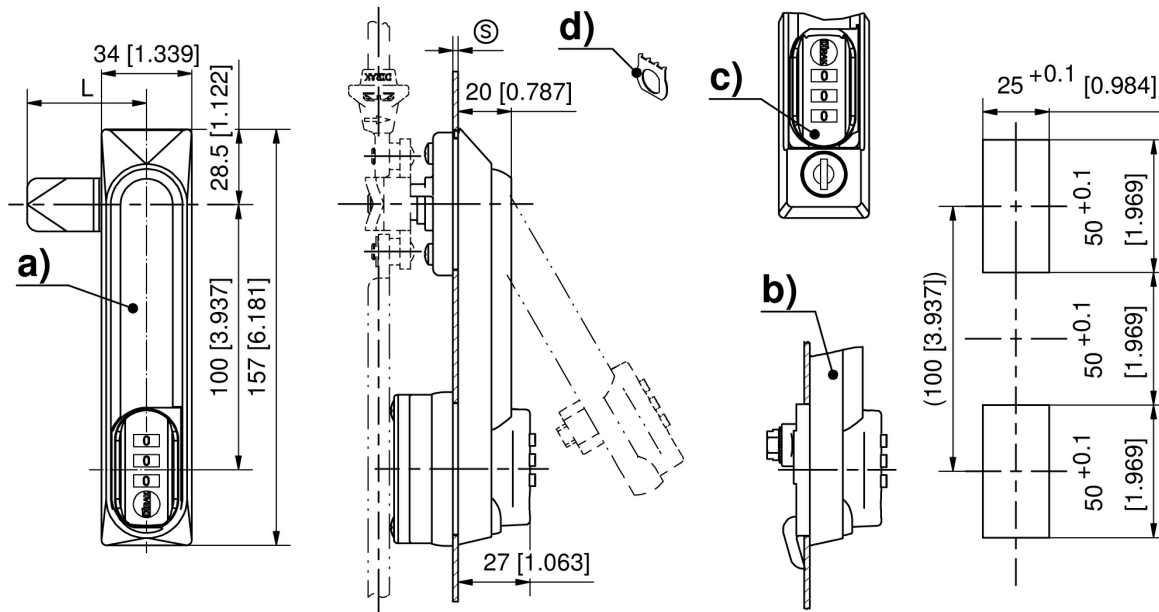


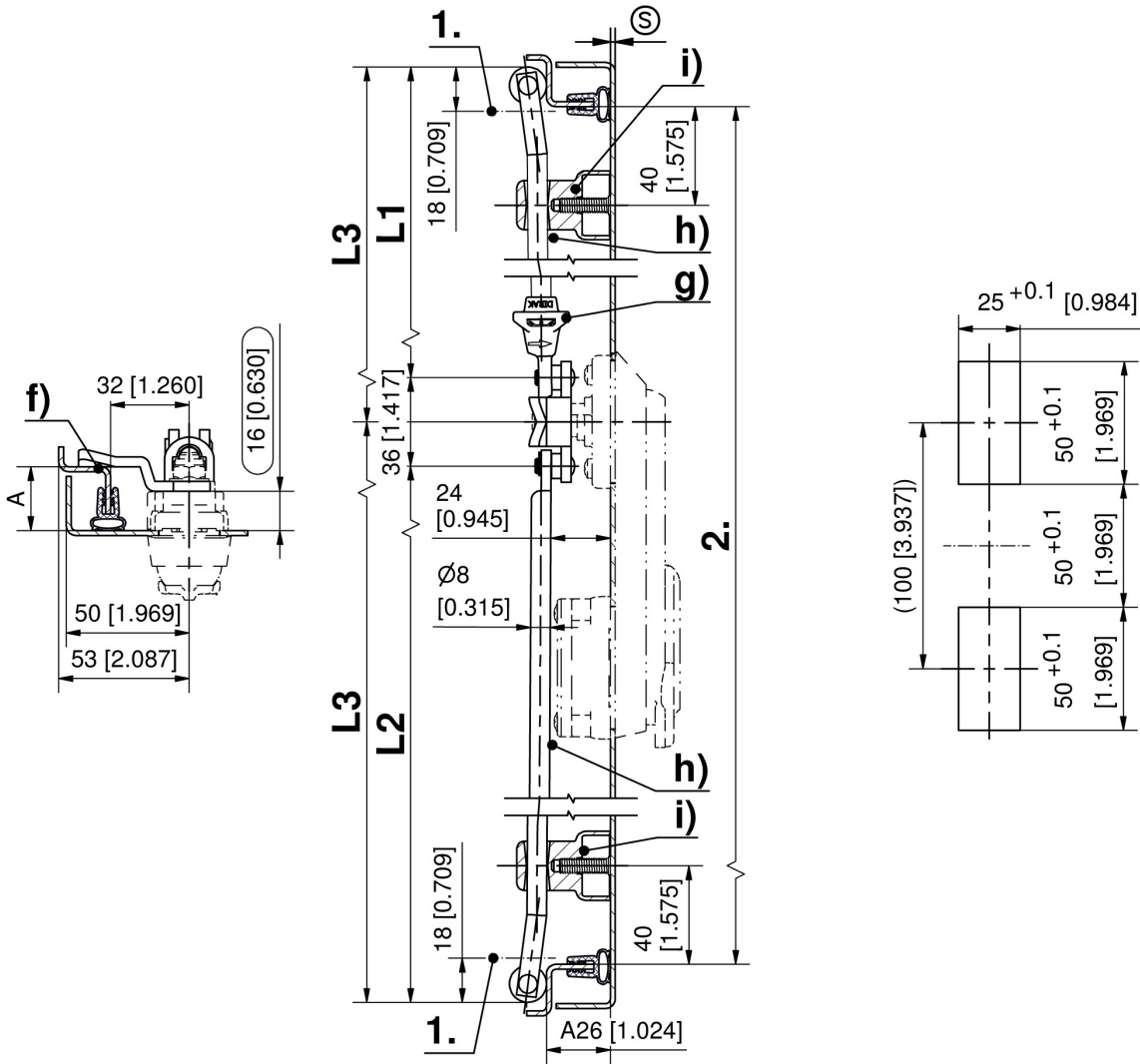
Swinghandle

	Part Number	Latching type	Handle material	Surface handle	Dish	IP protection	Installation type	Delivery Unit
a)	107-9268.00-00000	combination lock	zinc die	chrome plated	with cap	IP65	screw-on	1 pc.
a)	107-9270.00-00000	combination lock	zinc die	black	with cap	IP65	screw-on	1 pc.
b)	107-9269.00-00000	combination lock	zinc die	chrome plated	with hook		screw-on	1 pc.
b)	107-9271.00-00000	combination lock	zinc die	black	with hook		screw-on	1 pc.
c)	107-9277.00-00000	combination lock and keyed alike DIRAK 1333	PA	black	with cap	IP65	screw-on	1 pc.
c)	107-9278.00-00000	combination lock and keyed different	PA	black	with cap	IP65	screw-on	1 pc.

* Accessories

- d) 3-011 **Grounding Clip Stainless Steel**
- f) 2-150 **3-Point Cam L45, Rod Control**
- f) 2-151 **2-, 3- and 4-Point Cam Adapter**
- f) 2-151.04 **3-Point Cam Adapter**
- g) 1-181 **Adapter for Round Rods Ø8mm PA**
- g) 1-181.01 **Adapter for Round Rods Ø8mm / Ø10mm Zinc Die**
- h) 1-170 **Round Rods with Eye**
- h) 1-180 **Round Rods for Adapter**
- i) 1-190 **Rod Guides RS**
- i) 1-193 **Rod Guide RS**





Formula for rods with eye and rollers:
cutout in the door center (rod length varies)

$$L_1 = \frac{\text{upper rod}}{2} = \frac{2 \cdot \text{clearance} - 12\text{mm}[0.472]}{2 [0.079]} - 50 \text{ mm} [1.969] \quad L_2 = \frac{\text{lower rod}}{2} = \frac{2 \cdot \text{clearance} - 12\text{mm}[0.472]}{2 [0.079]} + 50 \text{ mm} [1.969]$$

cutout outside the door center (rod length equal)

$$L_3 = \frac{2 \cdot \text{clearance} - 12\text{mm}[0.472]}{2 [0.079]}$$