



3-100 Rod Latch RS/FS PrA



Avantages

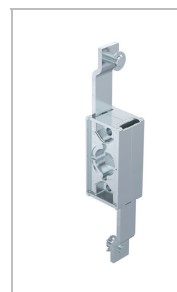
- For cutout A.
- The latch can be used with escutcheon, handles or swinghandle.
- Installation with or without cam.
- For application within the sealed area.
- Can also be used outside the seal in edge area.
- RH / LH application through double symmetry.
- Grounding by grounding clip (optional).

Materials

- **Housing:** zinc die, untreated or PA, black
- **Pinion:** zinc die
- **Rods:** steel, zinc plated

Notes

1. stroke 24mm
2. stroke 31.4mm



Rod latch, zinc die, untreated

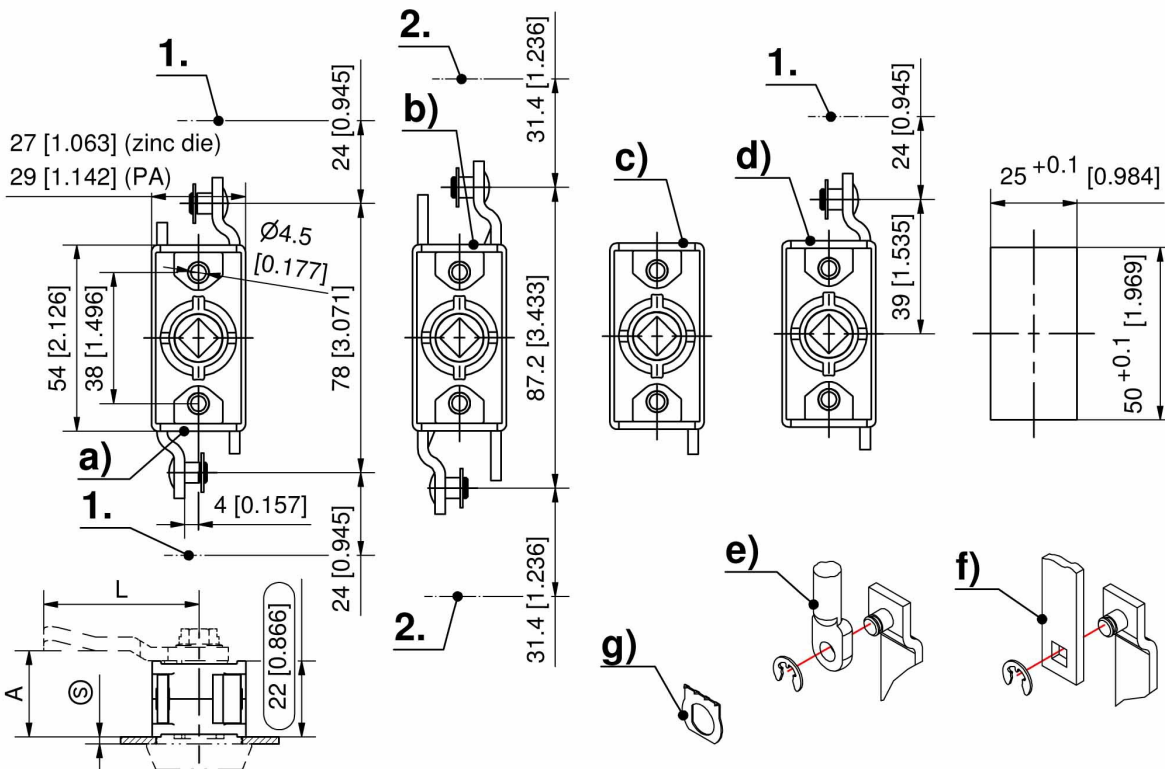
	Part Number	Pivoting range	Version	Stroke	Installation type	Delivery Unit
a)	208-9001.00-00000	135°	for inserts	24 mm	screw-on	1 pc.
b)	208-9008.00-00000	180°	for inserts	31.4 mm	screw-on	1 pc.
c)	208-9013.00-00000	135°	for inserts, without rod		screw-on	1 pc.
d)	208-9014.00-00000	135°	for inserts, with one rod	24 mm	screw-on	1 pc.

Rod latch, PA, black

	Part Number	Pivoting range	Version	Stroke	Installation type	Delivery Unit
a)	208-9051.00-00000	135°	for inserts	24 mm	screw-on	1 pc.
b)	208-9058.00-00000	180°	for inserts	31.4 mm	screw-on	1 pc.
c)	208-9063.00-00000	135°	for inserts, without rod		screw-on	1 pc.
d)	208-9064.00-00000	135°	for inserts, with one rod	24 mm	screw-on	1 pc.

* Accessories

- e) 1-180 **Round Rods for Adapter**
- e) 201-0102.00-00000 **Round rod 400mm**
- e) 201-0103.00-00000 **Round rod 500mm**
- e) 201-0104.00-00000 **Round rod 600mm**
- e) 201-0105.00-00000 **Round rod 700mm**
- e) 201-0106.00-00000 **Round rod 800mm**
- e) 201-0107.00-00000 **Round rod 900mm**
- e) 201-0108.00-00000 **Round rod 1000mm**
- e) 201-0109.00-00000 **Round rod 1100mm**
- e) 201-0110.00-00000 **Round rod 1200mm**
- e) 201-0111.00-Lxxmm **Round rod, variable length**
- e) 201-0112.00-Lxxmm **Round rod, variable length**
- e) 201-9021.00-Lxxmm **Round rod, variable length**
- f) 3-161 **Flat Rod FS**
- g) 3-101 **Escutcheons and Inserts**
- g) 3-110 **Handles for Rod Latch FS PrA**
- g) 3-135 **Escutcheon for Rod Latch PrA**
- h) 3-163 **Cam Adapter Zinc Die**
- i) 1-102 **Cams L35/45 Steel**
- i1) 208-9401.00-00000 **Cam with square, A25, L30 with serrated screw M6x16**
- i1) 208-9402.00-00000 **Cam with square, A20, L40 with serrated screw M6x16**
- i1) 208-9404.00-00000 **Cam with square, A18, L40 with serrated screw M6x16**
- i1) 208-9408.00-00000 **Cam with square, A30, L30 with serrated screw M6x16**
- j) 3-011 **Grounding Clip Stainless Steel**



Formula for rods:
cutout in the door center

$$L = \frac{\text{clearance} - 10\text{mm [0.394] (tolerance)} - \text{Rod Latch System in retracted condition}}{2}$$

