



3-155.02 Swinghandle SOFTLINE FS PrC



Avantages

- The swinghandle can be locked with 40mm profile-cylinders (DIN 18252), cylinder or insert.
- Locking stub is included in handle-assembly.
- Available with two different sliding dustcovers, enabling the locking with profile-cylinders having a protruding cylinder head.
- Version c) is supplied with 2 keys.
- Version with dish cap IP65 according to DIN EN 60529.
- For non IP65 applications - version dish with hook.
- Grounding by grounding clip (optional).

Materials

- **Swinghandle, dish and sliding cover : PA, black**

Notes

(S) Door-thickness 1.5 - 2.5mm
Inserts must be ordered separately.



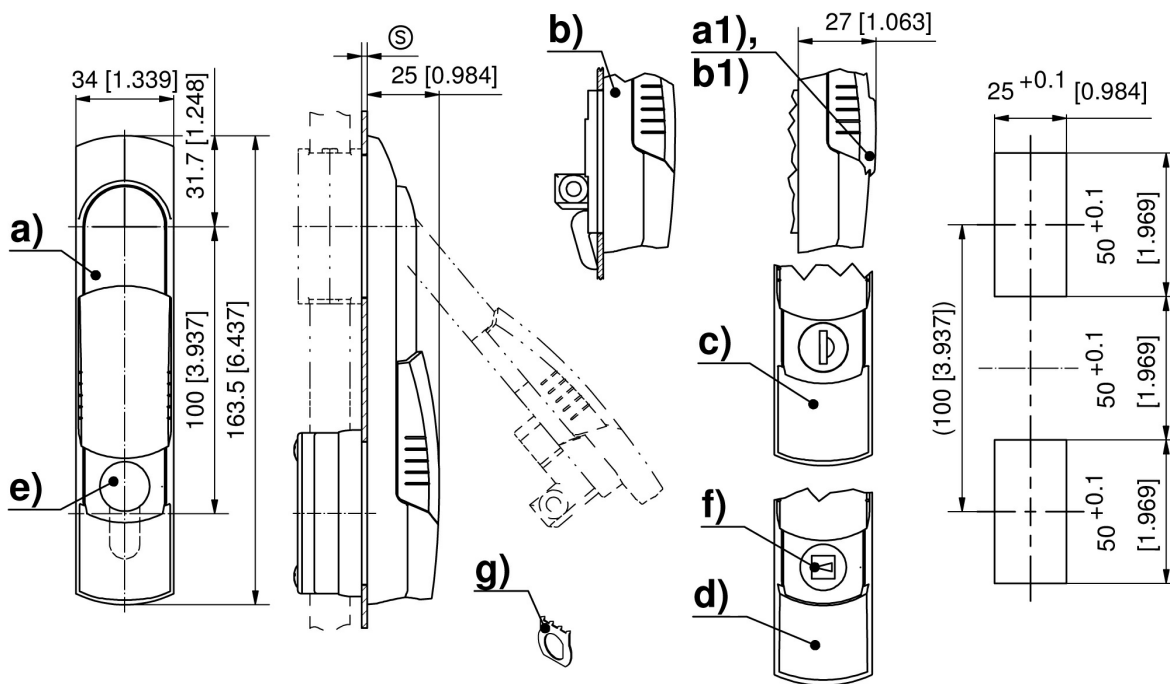
Swinghandle PA, black

	Part Number	Latching type	Dish	IP protection	Sliding dustover	Installation type	Delivery Unit
a)	107-9001.00-00000	PHZ 40mm	with cap	IP65	for up to 2.5mm protruding key-barrel part	screw-on	1 pc.
a1)	107-9002.00-00000	PHZ 40mm	with cap	IP65	for up to 5mm protruding key-barrel part	screw-on	1 pc.
b)	107-9003.00-00000	PHZ 40mm	with hook		for up to 2.5mm protruding key-barrel part	screw-on	1 pc.
b1)	107-9004.00-00000	PHZ 40mm	with hook		for up to 5mm protruding key-barrel part	screw-on	1 pc.
c)	107-9010.00-00000	keyed alike DIRAK 1333	with cap	IP65	for up to 2.5mm protruding key-barrel part	screw-on	1 pc.
c)	507-9208.00-00000	keyed alike DS200	with cap	IP65	for up to 2.5mm protruding key-barrel part	screw-on	1 pc.
c)	107-9012.00-00000	keyed different	with cap	IP65	for up to 2.5mm protruding key-barrel part	screw-on	1 pc.
c)	107-9013.00-00000	keyed alike DIRAK 1333	with hook		for up to 2.5mm protruding key-barrel part	screw-on	1 pc.
c)	507-9209.00-00000	keyed alike DS200	with hook		for up to 2.5mm protruding key-barrel part	screw-on	1 pc.
c)	107-9015.00-00000	keyed different	with hook		for up to 2.5mm protruding key-barrel part	screw-on	1 pc.
d)	107-9016.00-00000	Insert	with cap	IP65	for up to 2.5mm protruding key-barrel part	screw-on	1 pc.
d)	107-9017.00-00000	Insert	with hook		for up to 2.5mm protruding key-barrel part	screw-on	1 pc.



Accessories

- e) 2-140 **Profile-Cylinder DIN 18252**
- f) 2-141 **Inserts**
- g) 3-011 **Grounding Clip Stainless Steel**
- 3-130 **Rod Latch FS PrC**
- 3-132.01 **Rod Latch RS PrB**
- 3-160 **Flat Rod FS with Rollers**
- 3-165 **Rod Latch FS PrC and Angle Pieces with Rollers**
- 3-170 **Rod Latch for Multi-Point Locking FS PrC**
- 3-910 **Rod Guide FS 23mm**
- 6-100 **Wrenches and Keys**
- 6-101 **Universal key**





2-141 Inserts



Avantages

- Inserts with spring washer for swinghandle see product system 2-070, 2-080.01, 2-080.02, 2-090.03, 3-070, 3-155.02 and 6-111.02.
- Insert sets consist of insert and spring washer.

Materials

- **Insert:** zinc die, chrome plated
- **Wave washer:** spring steel, zinc plated

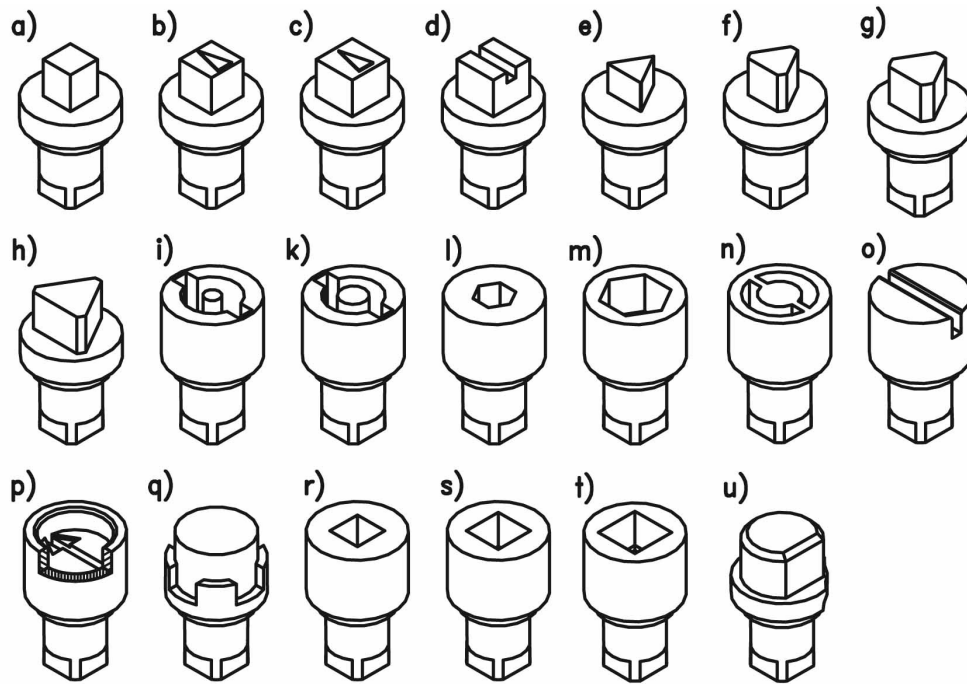
Notes

Suitable keys see product system 6-100 and 6-101.
For further versions please contact DIRAK.



Inserts

	Part Number	Insert	Delivery Unit
a)	211-9501.00-00000	Square 6mm	1 pc.
b)	211-9502.00-00000	Square 7mm	1 pc.
c)	211-9503.00-00000	Square 8mm	1 pc.
d)	211-9504.00-00000	Square 8mm, slotted	1 pc.
e)	211-9505.00-00000	Triangular 6.5mm CNOMO	1 pc.
f)	211-9506.00-00000	Triangular 7mm	1 pc.
g)	211-9507.00-00000	Triangular 8mm	1 pc.
h)	211-9508.00-00000	Triangular 9mm EDF	1 pc.
i)	211-9509.00-00000	Double bit 3mm pin	1 pc.
k)	211-9510.00-00000	Double bit 5mm pin	1 pc.
l)	211-9511.00-00000	Socket hex. 6mm	1 pc.
m)	211-9512.00-00000	Socket hex. 10mm	1 pc.
n)	211-9513.00-00000	Daimler Benz type	1 pc.
o)	211-9514.00-00000	Slotted 2x4mm	1 pc.
p)	211-9515.00-00000	Slotted recessed coinproof	1 pc.
q)	211-9516.00-00000	Crown type	1 pc.
r)	211-9517.00-00000	Square socket 6mm	1 pc.
s)	211-9518.00-00000	Square socket 7mm	1 pc.
t)	211-9519.00-00000	Square socket 8mm	1 pc.
u)	211-9520.00-00000	Half-round czech	1 pc.





2-140 Profile-Cylinder DIN 18252



Avantages

- **a)**: clip-in cam 8x45° adjustable. Key removable in closed position only.
- **b)**: spring-loaded clip-in cam. Dust-shutter.
- **c)**: cam has 90° stroke, **not** clip-in. Cam length is 12.2mm. Dust-shutter.
- **d)** clip-in cam. Dust-shutter.
- **e)**: spring-loaded clip-in cam.
- **f)**: cam **not** clip-in, 360° stroke.
- **g)**: radial pin tumbler cylinder, clip-in cam.
- **h)**: insert triangular 8, the first 4mm of the insert are free rotating. Spring-loaded clip-in cam.
- **i)**: Polyamide-plug with and without spring-loaded ball.

Materials

- **a)**: brass, nickel plated
- **b), c), e) f) and g)**: zinc die, chrome plated
conical square e) and f): housing: zinc die, chrome plated, **insert:** steel, chrome plated
- **i) and d)**: PA, black
- **h): housing:** zinc die, chrome plated, **insert:** stainless steel
- **Barrel cylinder:** zinc die
- **Dust-shutter:** stainless steel

Notes

Versions b), c), d) and g) are supplied with 2, Version a) with 3 keys.



Profile-cylinder with pin tumbler cylinder, DIN 18252, 8 x 45° adjustable

	Part Number	Latching type	Clip-in	Delivery Unit
a)	211-9003.00-00000	keyed alike	No	1 pc.
a)	211-9004.00-00000	keyed different	No	1 pc.

Profile-cylinder with key cylinder

	Part Number	Latching type	Closing stroke	Clip-in	Delivery Unit
b)	211-9101.00-00000	keyed different		Yes	1 pc.
b)	211-9102.00-00000	keyed alike DIRAK 1333		Yes	1 pc.
b)	511-9102.00-00000	keyed alike DS200		Yes	1 pc.
c)	211-9301.00-00000	keyed different	90°	No	1 pc.
c)	211-9302.00-00000	keyed alike DIRAK 1333	90°	No	1 pc.
c)	511-9302.00-00000	keyed alike DS200	90°	No	1 pc.

Profile-cylinder PA with key cylinder

	Part Number	Latching type	Clip-in	Delivery Unit
d)	211-9113.00-00000	keyed alike DIRAK 1333	Yes	1 pc.
d)	211-9115.00-00000	keyed different (dual entry)	Yes	1 pc.

Profile-cylinder with insert

	Part Number	Insert	Closing stroke	Clip-in	Delivery Unit
e)	211-9202.00-00000	Square 6mm		Yes	1 pc.
e)	211-9203.00-00000	Square 7mm		Yes	1 pc.
e)	211-9204.00-00000	Square 8mm		Yes	1 pc.
e)	211-9205.00-00000	Square 8mm, slotted		Yes	1 pc.
e)	211-9206.00-00000	Triangular 7mm		Yes	1 pc.
e)	211-9207.00-00000	Triangular 8mm		Yes	1 pc.
e)	211-9208.00-00000	Double bit 3mm pin		Yes	1 pc.
e)	211-9209.00-00000	Double bit 5mm pin		Yes	1 pc.
e)	211-9210.00-00000	Triangular 6.5mm CNOMO		Yes	1 pc.
e)	211-9211.00-00000	Socket hex. 10mm		Yes	1 pc.
e)	211-9212.00-00000	Slotted 2x4mm		Yes	1 pc.
e)	211-9213.00-00000	Daimler Benz type		Yes	1 pc.
e)	211-9214.00-00000	Crown type		Yes	1 pc.
e)	211-9215.00-00000	Square socket 6mm		Yes	1 pc.
e)	211-9216.00-00000	Square socket 7mm		Yes	1 pc.
e)	211-9217.00-00000	Square socket 8mm		Yes	1 pc.
e)	211-9218.00-00000	Slotted recessed coinproof		Yes	1 pc.
e)	211-9219.00-00000	Half-round czech		Yes	1 pc.
e)	211-9220.00-00000	Hex. Belcore 7/16"		Yes	1 pc.
e)	211-9235.00-00000	Conical square 9mm		Yes	1 pc.
f)	211-9203.00-00001	Square 7mm	360°	No	1 pc.
f)	211-9204.00-00001	Square 8mm	360°	No	1 pc.
f)	211-9206.00-00001	Triangular 7mm	360°	No	1 pc.
f)	211-9207.00-00001	Triangular 8mm	360°	No	1 pc.
f)	211-9208.00-00001	Double bit 3mm pin	360°	No	1 pc.
f)	211-9209.00-00001	Double bit 5mm pin	360°	No	1 pc.
f)	211-9212.00-00001	Slotted 2x4mm	360°	No	1 pc.
f)	211-8057.00-00000	Conical square 9mm	360°	No	1 pc.

Profile-cylinder with radial pin tumbler cylinder

	Part Number	Locking	Latching type	Clip-in	Delivery Unit
g)	211-9106.00-00000	Push button	keyed different	Yes	1 pc.
g)	211-9107.00-00000	Push button	keyed alike DIRAK D0205	Yes	1 pc.

Profile-cylinder with security insert

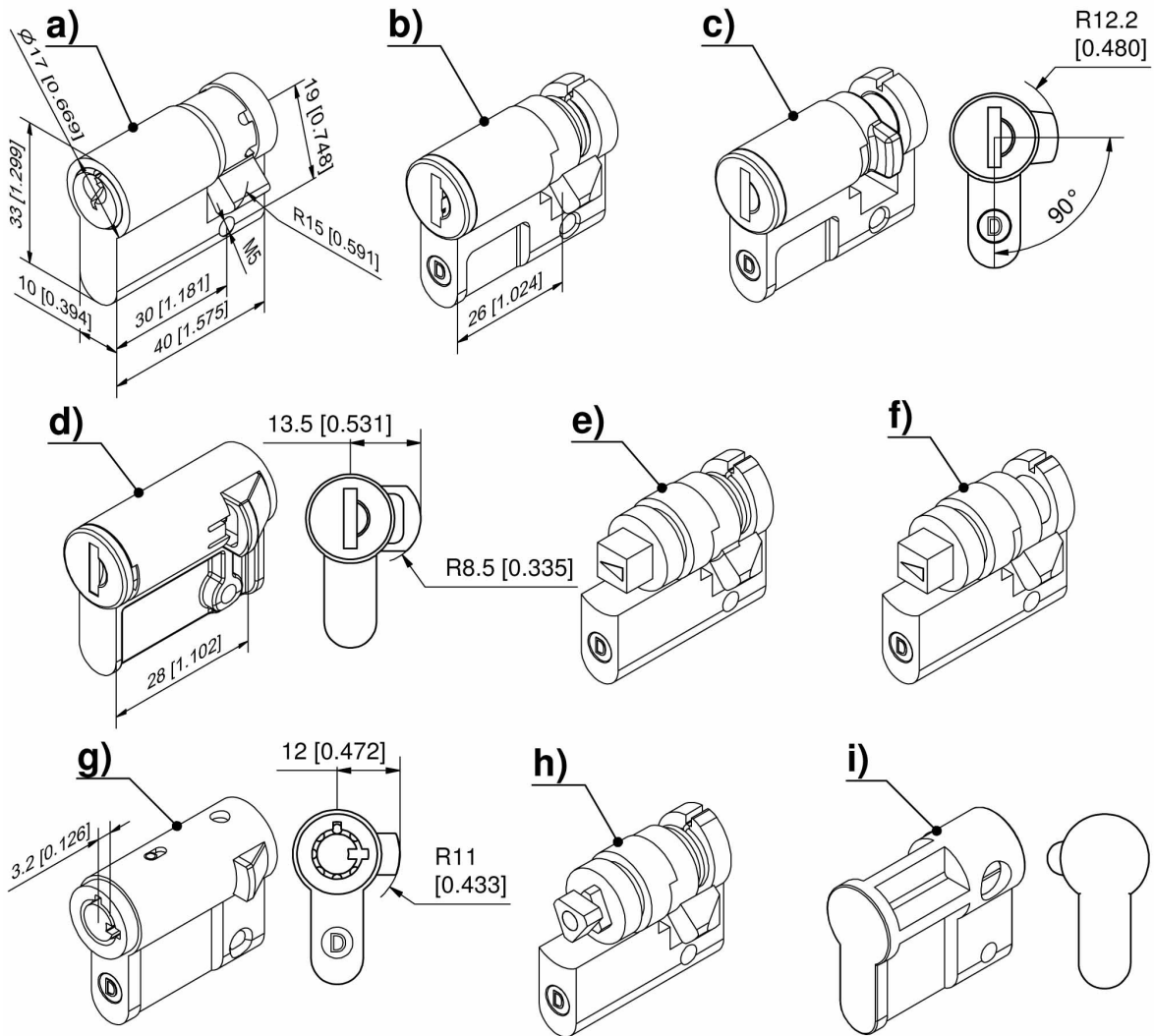
	Part Number	Insert	Clip-in	Delivery Unit
h)	211-9244.00-00000	Security insert with free rotating 8mm triangular front part	Yes	1 pc.

Profile-cylinder with blind plug

	Part Number	Name	Clip-in	Delivery Unit
i)	211-0401.03-00000	Blind plug without spring-loaded ball	No	1 pc.
i)	211-9201.00-00000	Blind plug with spring-loaded ball	Yes	1 pc.

6-100 Wrenches and Keys

6-105 Keys for the Railway Sector



CLOSING THUMB 8-WAY ADJUSTABLE

211-9003.00-00000
211-9004.00-00000

