



4-262 Hinge 76x50 Pr01 270°



Avantages

- Screw-on hinge.
- For nested doors.
- Hinge visible.
- RH / LH application.
- 270° Opening angle.
- Version b) allows application around corner.

Materials

- **Hinge halves:** zinc die, blasted chrome plated or black
- **Pin:** stainless steel
- **Molded in screws:** steel, zinc plated

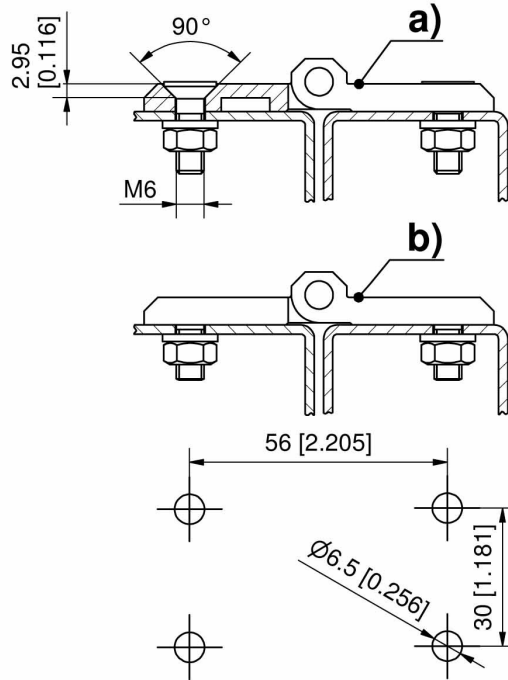
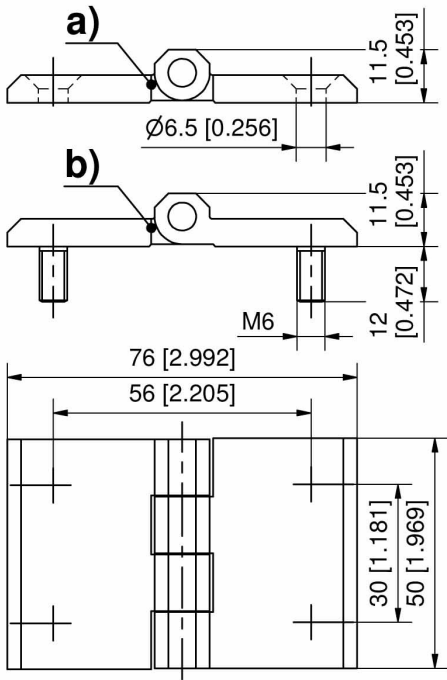
Notes

Combination of versions a) and b) on request.



Hinge, zinc die

	Part Number	Version	Surface	Pin version	Installation type	Delivery Unit
a)	218-9107.00-00000	with countersunk holes for M6	blasted chrome plated	pressed in	screw-on	10 pcs.
a)	218-9108.00-00000	with countersunk holes for M6	black	pressed in	screw-on	10 pcs.
b)	218-9105.00-00000	with molded in screws M6	blasted chrome plated	pressed in	screw-on	10 pcs.
b)	218-9106.00-00000	with molded in screws M6	black	pressed in	screw-on	10 pcs.





4-264.01 Hinge 63x50 Pr01 180° with Grounding Countersunk Screw



Avantages

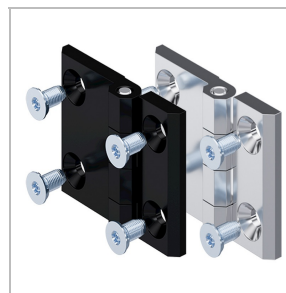
- Grounding countersunk screw according to DIN 7500.
- According to DIN EN 61439-1 (VDE 0660-600-1):2012-06, EN 61439-1:2011.
- For nested doors.
- Hinge visible.
- RH / LH application.
- 180° Opening angle.

Materials

- **Hinge halves:** zinc die, blasted chrome plated or black
- **Pins:** AISI 303
- **Spring:** spring steel
- **Countersunk screw:** steel, zinc plated

Notes

Other dimensions see product system 4-264.
(1.) Information about the grounding countersunk screw see product system 6-044.



Hinge with grounding countersunk screw M6

Part Number	Version	Surface	Pin version	Installation type	Delivery Unit
218-9109.00-00002	with countersunk holes for M6	blasted chrome plated	pressed in	screw-on	10 pcs.
218-9110.00-00002	with countersunk holes for M6	black	pressed in	screw-on	10 pcs.

