



7-060 Swinghandle FS PrC Stainless Steel for PHZ



Avantages

- Swinghandle for profile cylinder to DIN 18252.
- IP65 DIN EN 60529 within the sealed area.
- The padlock device with rectangular base is fitted from the rear and so held captive between door and swinghandle body.
- This opening can be filled with a rectangular blanking plate.

Materials

- **Swinghandle, dish, bearing part, dust cover and padlock bolt:** AISI 316
- **Blanking plate:** AISI 304
- **Swinghandle shaft:** AISI 303
- **Cap:** PA, black

Notes

(S) Door-thickness 1.5 - 2.5mm
Swinghandle for application with rod latch see product system 7-040 and cutout version PrC 50x25mm.

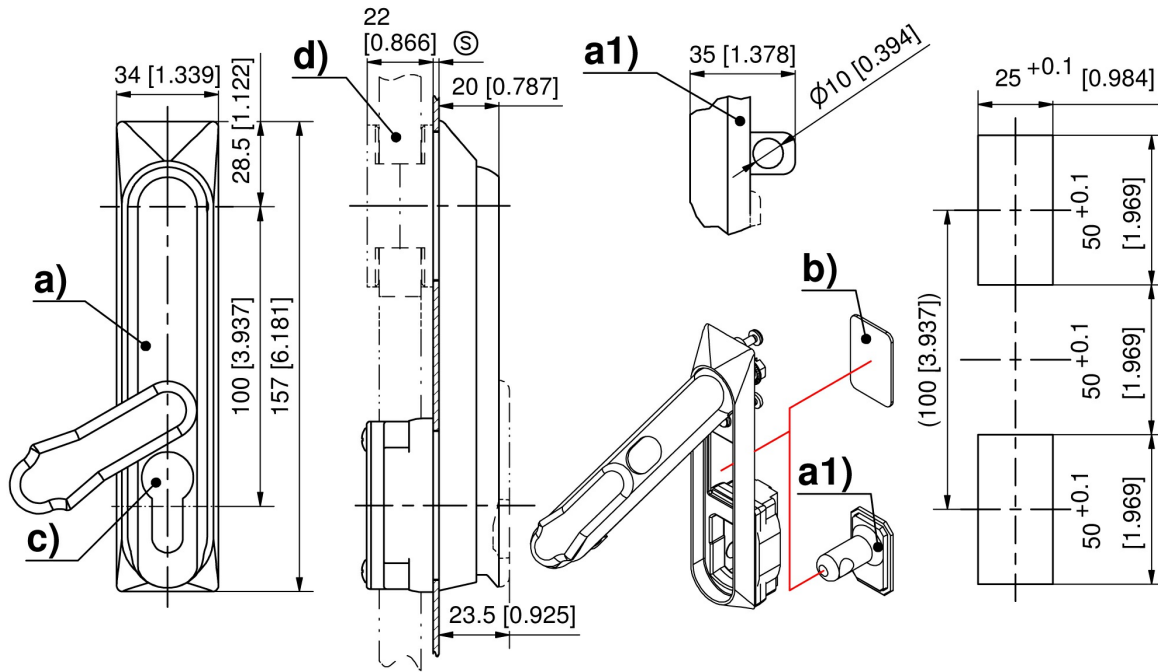


Swinghandle for profile cylinder

	Part Number	Cylinder cover	Padlock	Installation type	Delivery Unit
a)	207-9292.00-00000			screw-on	1 pc.
a)	207-9293.00-00000	Yes		screw-on	1 pc.
a1)	107-9286.00-00000	Yes	Yes	screw-on	1 pc.
a1)	107-9287.00-00000		Yes	screw-on	1 pc.

* Accessories

- b) 207-2506.80-00000 **Blanking plate for opening**
- c) 2-140 **Profile-Cylinder DIN 18252**
- c) 7-069 **Profile-Cylinder Stainless Steel**
- d) 7-040 **Rod Latch FS PrC Stainless Steel**





7-069 Profile-Cylinder Stainless Steel



Avantages

- Profile-cylinder with insert for swinghandles see product system 7-060 and 7-066.
- 40mm length
- Spring loaded clip-in cam.
- Fire protection tested with E60 classification according to DIN EN 45545-3.

Materials

- **Housing, cam and insert:** AISI 316

Notes

- i) security insert with free rotating 8mm triangular front part. The free rotating front part increases the security because the insert can only be opened with the suitable triangular key.



Profile-cylinder with insert

	Part Number	Insert	Delivery Unit
a)	211-9226.00-00000	Square 6mm	1 pc.
b)	211-9227.00-00000	Square 7mm	1 pc.
c)	211-9228.00-00000	Square 8mm	1 pc.
d)	211-9229.00-00000	Triangular 7mm	1 pc.
e)	211-9230.00-00000	Triangular 8mm	1 pc.
f)	211-9231.00-00000	Double bit 3mm pin	1 pc.
g)	211-9232.00-00000	Double bit 5mm pin	1 pc.
h)	211-9233.00-00000	Slotted 2x4mm	1 pc.
i)	211-9242.00-00000	Security insert with free rotating 8mm triangular front part	1 pc.
j)	211-9238.00-00000	Conical square 9mm	1 pc.

