



7-225 Hinge, adjustable Pr01 180° Stainless Steel



Avantages

- Adjustable in height ± 4 mm.
- For nested doors.
- Hinge visible.
- 180° Opening angle.
- RH / LH application.

Materials

- **Hinge:** AISI 316, satin polished

Notes

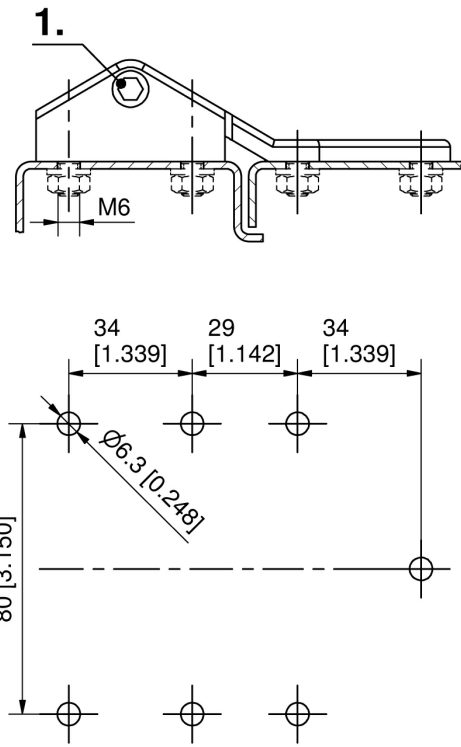
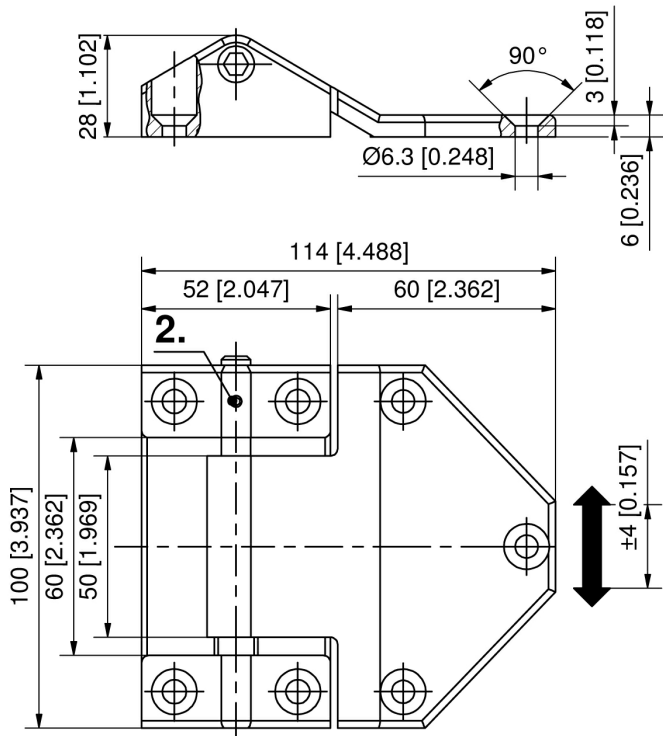
1. adjustable axis, wrench size 6
2. fixing of adjustable axis stud M4, DIN 916 SW2

Properties of material AISI 316 Ti: the titanium increases the corrosion resistance even further, particularly the intercrystalline corrosion at the grain boundaries.



Hinge, adjustable

Part Number	Width W	Height H	Pin version	Installation type	Delivery Unit
217-9605.00-00000	114 mm	100 mm	screwed	screw-on	1 pc.





7-220 Hinge Pr01 200° Stainless Steel



Avantages

- Hinge for flush constructions.
- For nested doors.
- Hinge visible.
- RH / LH application.
- 200° Opening angle.
- Very good for installation on narrow frame widths.

Materials

- **Hinge-parts:** AISI 316
- **Washers:** stainless steel



Hinge

Part Number	Width W	Height H	Pin length L	Pin version	Installation type	Delivery Unit
217-9601.00-00000	40 mm	60 mm	69 mm	with groove incl. locking washer DIN6799	screw-on	10 pcs.

