



1-083 Quarter-Turn Pr20.1 L12



Avantages

- Flush version
- Housing length 12mm.
- IP69K according to DIN EN 60529 by using sealing kit (optional).
- RH / LH application.
- Grounding by single-sided grounding nut (optional).
- On request parts can be assembled.
- The quarter-turn can be screwed into the cutout with the pre-assembled cam.

Materials

- **Housing and inserts:** zinc die, chrome plated or black
- **Nut:** steel, zinc plated

Notes

(S) Door-thickness max. 3mm
Please configure the quarter-turn with insert and cam.
Attention: negatively cranked cams cannot be installed pre-assembled in the cutout.
1. nut
2. grounding nut



Quarter-Turn housing, zinc die

	Part Number	Surface	Grounding type	Installation type	Delivery Unit
a)	100-9044.00-00000	chrome plated		screw-on	10 pcs.
a)	100-9045.00-00000	chrome plated	Grounding nut	screw-on	10 pcs.
a)	100-9046.00-00000	black		screw-on	10 pcs.
a)	100-9047.00-00000	black	Grounding nut	screw-on	10 pcs.

Inserts, zinc die, for quarter-turn L12

	Part Number	Insert	Surface	Delivery Unit
b)	100-9138.00-00006	Double bit 3mm pin	chrome plated	10 pcs.
b1)	100-9138.00-00007	Double bit 5mm pin	chrome plated	10 pcs.
c)	100-9138.00-00008	Square 6mm	chrome plated	10 pcs.
c1)	100-9138.00-00009	Square 7mm	chrome plated	10 pcs.
c2)	100-9138.00-00010	Square 8mm	chrome plated	10 pcs.
d)	100-9138.00-00011	Triangular 7mm	chrome plated	10 pcs.
d1)	100-9138.00-00012	Triangular 8mm	chrome plated	10 pcs.
e)	100-9138.00-00013	Slotted 2x4mm	chrome plated	10 pcs.
b)	100-9140.00-00006	Double bit 3mm pin	black	10 pcs.
b1)	100-9140.00-00007	Double bit 5mm pin	black	10 pcs.
c)	100-9140.00-00008	Square 6mm	black	10 pcs.
c1)	100-9140.00-00009	Square 7mm	black	10 pcs.
c2)	100-9140.00-00010	Square 8mm	black	10 pcs.
d)	100-9140.00-00011	Triangular 7mm	black	10 pcs.
d1)	100-9140.00-00012	Triangular 8mm	black	10 pcs.
e)	100-9140.00-00013	Slotted 2x4mm	black	10 pcs.

Function



extension

209-9002.00-00000 **Sealing kit IP69 for Quarter-Turns Pr20.1**



Assembly options

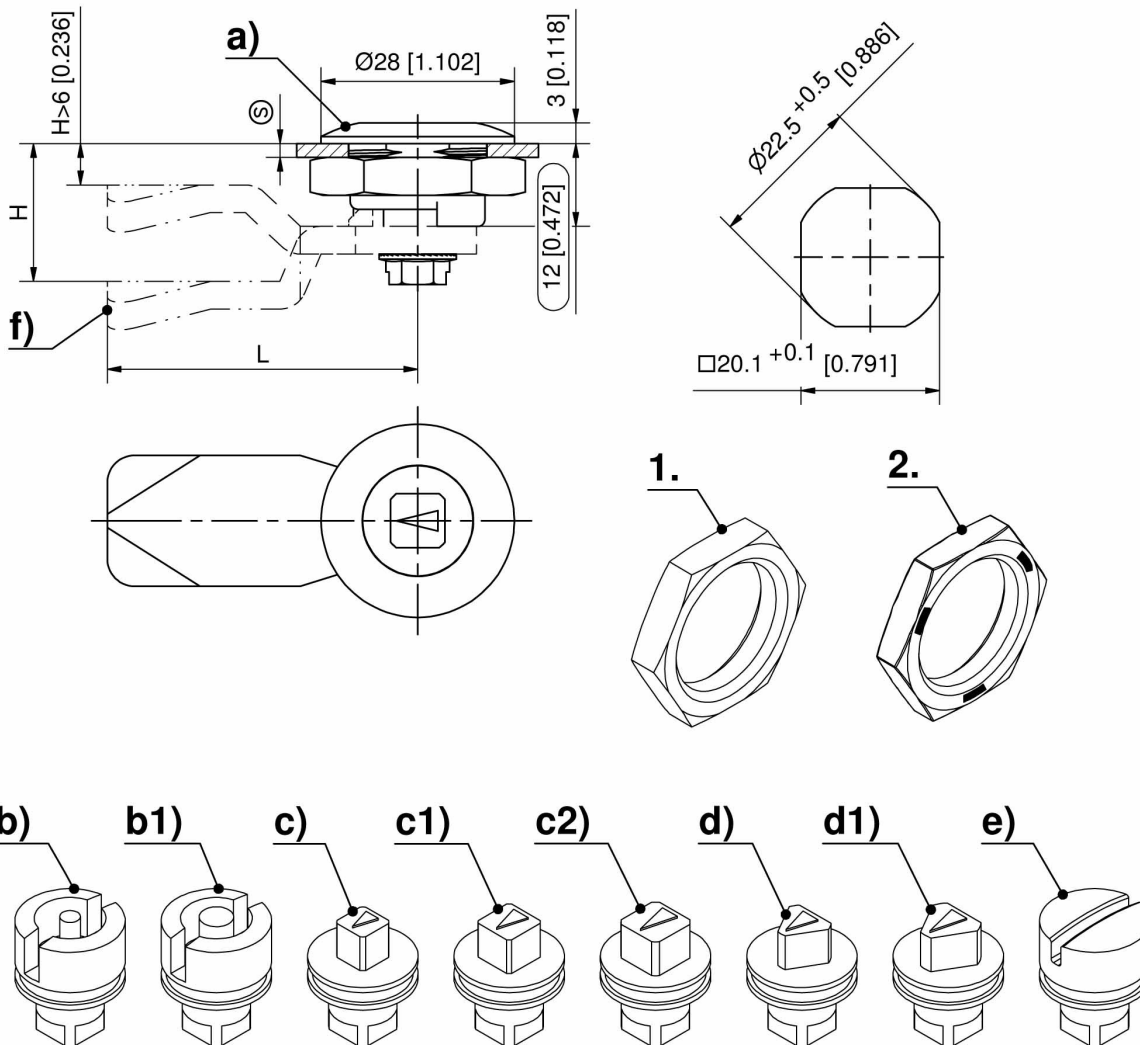
200-0001.00-00000 **Assembling cam without o-ring**

200-0002.00-00000 **Assembling cam with o-ring**



Accessories

- f) 1-102 **Cams L35/45 Steel**
- f) 1-260 **Hooked Cam**
- f) 1-261 **Cams with Ramp**
- f) 1-262 **Cams variable**
- 6-100 **Wrenches and Keys**
- 6-101 **Universal key**



1-102 Cams L35/45 Steel



Advantages

- Cams with ramp and stop with 35mm and 45mm length for 1-point locking.
- 3-Point cam for 3-point locking.
- Rod control for 2-point locking.

Materials

- **Cams:** steel, zinc plated

Notes

1. ramp 3mm
 2. stroke 18mm at 90° rotation
 3. c-clips (are included)
- Cams L45 and 3-point cams with marking e) are supplied in 2 parts.
Slide shoe for cams 35 and 45mm, see product system 1-103.



Cams, L45

Part Number	H-dimension GI12	H-dimension GI18	H-dimension GI20	H-dimension GI22	H-dimension GI30	H-dimension GI32	H-dimension GI36	H-dimension GI40	H-dimension GI42	H-dimension GI46	H-dimension GI50	H-dimension GI56	H-dimension GI60	H-dimension GI66	Delivery Unit
200- a) 0402.00- 00000		2 mm	4 mm	6 mm	14 mm	16 mm	20 mm	24 mm	26 mm	30 mm	34 mm	40 mm	44 mm	50 mm	10 pcs.
200- a) 0404.00- 00000		4 mm	6 mm	8 mm	16 mm	18 mm	22 mm	26 mm	28 mm	32 mm	36 mm	42 mm	46 mm	52 mm	10 pcs.
200- a) 0406.00- 00000		6 mm	8 mm	10 mm	18 mm	20 mm	24 mm	28 mm	30 mm	34 mm	38 mm	44 mm	48 mm	54 mm	10 pcs.
200- a) 0408.00- 00000		8 mm	10 mm	12 mm	20 mm	22 mm	26 mm	30 mm	32 mm	36 mm	40 mm	46 mm	50 mm	56 mm	10 pcs.
200- a) 0410.00- 00000		10 mm	12 mm	14 mm	22 mm	24 mm	28 mm	32 mm	34 mm	38 mm	42 mm	48 mm	52 mm	58 mm	10 pcs.
200- a) 0413.00- 7 mm 00000		13 mm	15 mm	17 mm	25 mm	27 mm	31 mm	35 mm	37 mm	41 mm	45 mm	51 mm	55 mm	61 mm	10 pcs.
200- a) 0414.00- 8 mm 00000		14 mm	16 mm	18 mm	26 mm	28 mm	32 mm	36 mm	38 mm	42 mm	46 mm	52 mm	56 mm	62 mm	10 pcs.
200- a) 0416.00- 10 mm 00000		16 mm	18 mm	20 mm	28 mm	30 mm	34 mm	38 mm	40 mm	44 mm	48 mm	54 mm	58 mm	64 mm	10 pcs.
200- a) 0418.00- 12 mm 00000		18 mm	20 mm	22 mm	30 mm	32 mm	36 mm	40 mm	42 mm	46 mm	50 mm	56 mm	60 mm	66 mm	10 pcs.
200- a) 0420.00- 14 mm 00000		20 mm	22 mm	24 mm	32 mm	34 mm	38 mm	42 mm	44 mm	48 mm	52 mm	58 mm	62 mm	68 mm	10 pcs.
200- a) 0422.00- 16 mm 00000		22 mm	24 mm	26 mm	34 mm	36 mm	40 mm	44 mm	46 mm	50 mm	54 mm	60 mm	64 mm	70 mm	10 pcs.
200- a) 0424.00- 18 mm 00000		24 mm	26 mm	28 mm	36 mm	38 mm	42 mm	46 mm	48 mm	52 mm	56 mm	62 mm	66 mm	72 mm	10 pcs.
200- a) 0425.00- 19 mm 00000		25 mm	27 mm	29 mm	37 mm	39 mm	43 mm	47 mm	49 mm	53 mm	57 mm	63 mm	67 mm	73 mm	10 pcs.
200- a) 0426.00- 20 mm 00000		26 mm	28 mm	30 mm	38 mm	40 mm	44 mm	48 mm	50 mm	54 mm	58 mm	64 mm	68 mm	74 mm	10 pcs.
200- a) 0428.00- 22 mm 00000		28 mm	30 mm	32 mm	40 mm	42 mm	46 mm	50 mm	52 mm	56 mm	60 mm	66 mm	70 mm	76 mm	10 pcs.
200- a) 0430.00- 24 mm 00000		30 mm	32 mm	34 mm	42 mm	44 mm	48 mm	52 mm	54 mm	58 mm	62 mm	68 mm	72 mm	78 mm	10 pcs.

a) 0432.00-00000	26 mm	32 mm	34 mm	36 mm	44 mm	46 mm	50 mm	54 mm	56 mm	60 mm	64 mm	70 mm	74 mm	80 mm	10 pcs.
a) 0434.00-00000	28 mm	34 mm	36 mm	38 mm	46 mm	48 mm	52 mm	56 mm	58 mm	62 mm	66 mm	72 mm	76 mm	82 mm	10 pcs.
a) 0435.00-00000	29 mm	35 mm	37 mm	39 mm	47 mm	49 mm	53 mm	57 mm	59 mm	63 mm	67 mm	73 mm	77 mm	83 mm	10 pcs.
a) 0436.00-00000	30 mm	36 mm	38 mm	40 mm	48 mm	50 mm	54 mm	58 mm	60 mm	64 mm	68 mm	74 mm	78 mm	84 mm	10 pcs.
a) 0438.00-00000	32 mm	38 mm	40 mm	42 mm	50 mm	52 mm	56 mm	60 mm	62 mm	66 mm	70 mm	76 mm	80 mm	86 mm	10 pcs.
a) 0440.00-00000	34 mm	40 mm	42 mm	44 mm	52 mm	54 mm	58 mm	62 mm	64 mm	68 mm	72 mm	78 mm	82 mm	88 mm	10 pcs.
a) 0442.00-00000	36 mm	42 mm	44 mm	46 mm	54 mm	56 mm	60 mm	64 mm	66 mm	70 mm	74 mm	80 mm	84 mm	90 mm	10 pcs.
a) 0444.00-00000	38 mm	44 mm	46 mm	48 mm	56 mm	58 mm	62 mm	66 mm	68 mm	72 mm	76 mm	82 mm	86 mm	92 mm	10 pcs.
e) 0445.00-00000	39 mm	45 mm	47 mm	49 mm	57 mm	59 mm	63 mm	67 mm	69 mm	73 mm	77 mm	83 mm	87 mm	93 mm	10 pcs.
e) 0447.00-00000	41 mm	47 mm	49 mm	51 mm	59 mm	61 mm	65 mm	69 mm	71 mm	75 mm	79 mm	85 mm	89 mm	95 mm	10 pcs.
e) 0450.00-00000	44 mm	50 mm	52 mm	54 mm	62 mm	64 mm	68 mm	72 mm	74 mm	78 mm	82 mm	88 mm	92 mm	98 mm	10 pcs.
a) 0453.00-00000	47 mm	53 mm	55 mm	57 mm	65 mm	67 mm	71 mm	75 mm	77 mm	81 mm	85 mm	91 mm	95 mm	101 mm	10 pcs.
a) 0455.00-00000	49 mm	55 mm	57 mm	59 mm	67 mm	69 mm	73 mm	77 mm	79 mm	83 mm	87 mm	93 mm	97 mm	103 mm	10 pcs.

Cams, L35

Part Number	H-dimension GI12	H-dimension GI18	H-dimension GI20	H-dimension GI22	H-dimension GI30	H-dimension GI32	H-dimension GI36	H-dimension GI40	H-dimension GI42	H-dimension GI46	H-dimension GI50	H-dimension GI56	H-dimension GI60	H-dimension GI66	Delivery Unit
b) 200-0606.00-00000	6 mm	8 mm	10 mm	18 mm	20 mm	24 mm	28 mm	30 mm	34 mm	38 mm	44 mm	48 mm	54 mm	10 pcs.	
b) 200-0608.00-00000	8 mm	10 mm	12 mm	20 mm	22 mm	26 mm	30 mm	32 mm	36 mm	40 mm	46 mm	50 mm	56 mm	10 pcs.	
b) 200-0610.00-00000	10 mm	12 mm	14 mm	22 mm	24 mm	28 mm	32 mm	34 mm	38 mm	42 mm	48 mm	52 mm	58 mm	10 pcs.	
b) 200-0613.00-00000	7 mm	13 mm	15 mm	17 mm	25 mm	27 mm	31 mm	35 mm	37 mm	41 mm	45 mm	51 mm	55 mm	61 mm	10 pcs.
b) 200-0614.00-00000	8 mm	14 mm	16 mm	18 mm	26 mm	28 mm	32 mm	36 mm	38 mm	42 mm	46 mm	52 mm	56 mm	62 mm	10 pcs.
b) 200-0616.00-00000	10 mm	16 mm	18 mm	20 mm	28 mm	30 mm	34 mm	38 mm	40 mm	44 mm	48 mm	54 mm	58 mm	64 mm	10 pcs.
b) 200-0618.00-00000	12 mm	18 mm	20 mm	22 mm	30 mm	32 mm	36 mm	40 mm	42 mm	46 mm	50 mm	56 mm	60 mm	66 mm	10 pcs.
b) 200-0620.00-00000	14 mm	20 mm	22 mm	24 mm	32 mm	34 mm	38 mm	42 mm	44 mm	48 mm	52 mm	58 mm	62 mm	68 mm	10 pcs.
b) 200-0622.00-00000	16 mm	22 mm	24 mm	26 mm	34 mm	36 mm	40 mm	44 mm	46 mm	50 mm	54 mm	60 mm	64 mm	70 mm	10 pcs.
b) 200-0624.00-00000	18 mm	24 mm	26 mm	28 mm	36 mm	38 mm	42 mm	46 mm	48 mm	52 mm	56 mm	62 mm	66 mm	72 mm	10 pcs.
b) 200-0625.00-00000	19 mm	25 mm	27 mm	29 mm	37 mm	39 mm	43 mm	47 mm	49 mm	53 mm	57 mm	63 mm	67 mm	73 mm	10 pcs.
b) 200-0626.00-00000	20 mm	26 mm	28 mm	30 mm	38 mm	40 mm	44 mm	48 mm	50 mm	54 mm	58 mm	64 mm	68 mm	74 mm	10 pcs.

a) 200-0628.00-00000	22 mm	28 mm	30 mm	32 mm	40 mm	42 mm	46 mm	50 mm	52 mm	56 mm	60 mm	66 mm	70 mm	76 mm	10 pcs.
b) 200-0630.00-00000	24 mm	30 mm	32 mm	34 mm	42 mm	44 mm	48 mm	52 mm	54 mm	58 mm	62 mm	68 mm	72 mm	78 mm	10 pcs.
b) 200-0635.00-00000	29 mm	35 mm	37 mm	39 mm	47 mm	49 mm	53 mm	57 mm	59 mm	63 mm	67 mm	73 mm	77 mm	83 mm	10 pcs.
a) 200-0638.00-00000	32 mm	38 mm	40 mm	42 mm	50 mm	52 mm	56 mm	60 mm	62 mm	66 mm	70 mm	76 mm	80 mm	86 mm	10 pcs.
b) 200-0640.00-00000	34 mm	40 mm	42 mm	44 mm	52 mm	54 mm	58 mm	62 mm	64 mm	68 mm	72 mm	78 mm	82 mm	88 mm	10 pcs.
b) 200-0642.00-00000	36 mm	42 mm	44 mm	46 mm	54 mm	56 mm	60 mm	64 mm	66 mm	70 mm	74 mm	80 mm	84 mm	90 mm	10 pcs.
b) 200-0644.00-00000	38 mm	44 mm	46 mm	48 mm	56 mm	58 mm	62 mm	66 mm	68 mm	72 mm	76 mm	82 mm	86 mm	92 mm	10 pcs.

3-point cam

Part Number	H-dimension GI12	H-dimension GI18	H-dimension GI20	H-dimension GI22	H-dimension GI30	H-dimension GI32	H-dimension GI36	H-dimension GI40	H-dimension GI42	H-dimension GI46	H-dimension GI50	H-dimension GI56	H-dimension GI60	H-dimension GI66	Delivery Unit
c) 200-9504.00-00000	4 mm	6 mm	8 mm	16 mm	18 mm	22 mm	26 mm	28 mm	32 mm	36 mm	42 mm	46 mm	52 mm	1 pc.	
c) 200-9506.00-00000	6 mm	8 mm	10 mm	18 mm	20 mm	24 mm	28 mm	30 mm	34 mm	38 mm	44 mm	48 mm	54 mm	1 pc.	
c) 200-9508.00-00000	8 mm	10 mm	12 mm	20 mm	22 mm	26 mm	30 mm	32 mm	36 mm	40 mm	46 mm	50 mm	56 mm	1 pc.	
c) 200-9510.00-00000	10 mm	12 mm	14 mm	22 mm	24 mm	28 mm	32 mm	34 mm	38 mm	42 mm	48 mm	52 mm	58 mm	1 pc.	
c) 200-9513.00-00000	7 mm	13 mm	15 mm	17 mm	25 mm	27 mm	31 mm	35 mm	37 mm	41 mm	45 mm	51 mm	55 mm	61 mm	1 pc.
c) 200-9514.00-00000	8 mm	14 mm	16 mm	18 mm	26 mm	28 mm	32 mm	36 mm	38 mm	42 mm	46 mm	52 mm	56 mm	62 mm	1 pc.
c) 200-9516.00-00000	10 mm	16 mm	18 mm	20 mm	28 mm	30 mm	34 mm	38 mm	40 mm	44 mm	48 mm	54 mm	58 mm	64 mm	1 pc.
c) 200-9518.00-00000	12 mm	18 mm	20 mm	22 mm	30 mm	32 mm	36 mm	40 mm	42 mm	46 mm	50 mm	56 mm	60 mm	66 mm	1 pc.
c) 200-9520.00-00000	14 mm	20 mm	22 mm	24 mm	32 mm	34 mm	38 mm	42 mm	44 mm	48 mm	52 mm	58 mm	62 mm	68 mm	1 pc.
c) 200-9522.00-00000	16 mm	22 mm	24 mm	26 mm	34 mm	36 mm	40 mm	44 mm	46 mm	50 mm	54 mm	60 mm	64 mm	70 mm	1 pc.
c) 200-9524.00-00000	18 mm	24 mm	26 mm	28 mm	36 mm	38 mm	42 mm	46 mm	48 mm	52 mm	56 mm	62 mm	66 mm	72 mm	1 pc.
c) 200-9525.00-00000	19 mm	25 mm	27 mm	29 mm	37 mm	39 mm	43 mm	47 mm	49 mm	53 mm	57 mm	63 mm	67 mm	73 mm	1 pc.
b) 200-9526.00-00000	20 mm	26 mm	28 mm	30 mm	38 mm	40 mm	44 mm	48 mm	50 mm	54 mm	58 mm	64 mm	68 mm	74 mm	1 pc.
c) 200-9528.00-00000	22 mm	28 mm	30 mm	32 mm	40 mm	42 mm	46 mm	50 mm	52 mm	56 mm	60 mm	66 mm	70 mm	76 mm	1 pc.
c) 200-9530.00-00000	24 mm	30 mm	32 mm	34 mm	42 mm	44 mm	48 mm	52 mm	54 mm	58 mm	62 mm	68 mm	72 mm	78 mm	1 pc.
c) 200-9532.00-00000	26 mm	32 mm	34 mm	36 mm	44 mm	46 mm	50 mm	54 mm	56 mm	60 mm	64 mm	70 mm	74 mm	80 mm	1 pc.
c) 200-9534.00-00000	28 mm	34 mm	36 mm	38 mm	46 mm	48 mm	52 mm	56 mm	58 mm	62 mm	66 mm	72 mm	76 mm	82 mm	1 pc.
c) 200-9535.00-00000	29 mm	35 mm	37 mm	39 mm	47 mm	49 mm	53 mm	57 mm	59 mm	63 mm	67 mm	73 mm	77 mm	83 mm	1 pc.
c) 200-9536.00-00000	30 mm	36 mm	38 mm	40 mm	48 mm	50 mm	54 mm	58 mm	60 mm	64 mm	68 mm	74 mm	78 mm	84 mm	1 pc.
c) 200-9538.00-00000	32 mm	38 mm	40 mm	42 mm	50 mm	52 mm	56 mm	60 mm	62 mm	66 mm	70 mm	76 mm	80 mm	86 mm	1 pc.
c) 200-9540.00-00000	34 mm	40 mm	42 mm	44 mm	52 mm	54 mm	58 mm	62 mm	64 mm	68 mm	72 mm	78 mm	82 mm	88 mm	1 pc.
c) 200-9542.00-00000	36 mm	42 mm	44 mm	46 mm	54 mm	56 mm	60 mm	64 mm	66 mm	70 mm	74 mm	80 mm	84 mm	90 mm	1 pc.
c) 200-9544.00-00000	38 mm	44 mm	46 mm	48 mm	56 mm	58 mm	62 mm	66 mm	68 mm	72 mm	76 mm	82 mm	86 mm	92 mm	1 pc.

00000 200- e) 9545.00- 39 mm	45 mm	47 mm	49 mm	57 mm	59 mm	63 mm	67 mm	69 mm	73 mm	77 mm	83 mm	87 mm	93 mm	1 pc.
00000 200- e) 9547.00- 41 mm	47 mm	49 mm	51 mm	59 mm	61 mm	65 mm	69 mm	71 mm	75 mm	79 mm	85 mm	89 mm	95 mm	1 pc.
00000 200- e) 9550.00- 44 mm	50 mm	52 mm	54 mm	62 mm	64 mm	68 mm	72 mm	74 mm	78 mm	82 mm	88 mm	92 mm	98 mm	1 pc.

Rod control

	Part Number	Stop	Installation type	Delivery Unit
d)	200-9599.00-00000	Yes	screw-on	1 pc.

- 1-103 Slide Shoe for Cams
- 1-260 Hooked Cam
- 1-261 Cams with Ramp
- 1-262 Cams variable
- 2-150 3-Point Cam L45, Rod Control
- 2-151 2-, 3- and 4-Point Cam Adapter
- 2-151.01 3-Point Adapter with H-Dimension Adjustment
- 2-151.04 3-Point Cam Adapter

