



1-110 Quarter-Turn Pr20.1 L30-60



Avantages

- Extended Quarter-turns for cutout Pr20.1.
- IP65/67 according to DIN EN 60529 by sealing kit (optional).
- RH / LH application.
- Grounding by grounding nut.
- On request parts can be assembled.
- The Quarter-turn can be screwed into the cutout with the pre-assembled cam.

Materials

- **Housing:** zinc die, chrome plated or black
- **Nuts:** steel, zinc plated
- **Grounding nut and adapter:** zinc die, untreated

Notes

(S) Door-thickness see table
Please configure the Quarter-turn with insert (adapter) and cam.
Negatively bent cams can not be installed pre-assembled.
By using inserts the adapter is optional, by using knobs the adapter is necessary.
1. nut
2. grounding nut



Quarter-Turn housing, zinc die, chrome plated + nut

	Part Number	Housing length	Door-thickness (S)	suitable Adapter set	Grounding type	Installation type	Delivery Unit
a)	200-9011.00-00000	30 mm	max. 20 mm	L20		screw-on	10 pcs.
a)	200-9012.00-00000	30 mm	max. 20 mm	L20	Grounding nut	screw-on	10 pcs.
a)	200-9015.00-00000	36 mm	max. 26 mm	L26		screw-on	10 pcs.
a)	200-9016.00-00000	36 mm	max. 26 mm	L26	Grounding nut	screw-on	10 pcs.
a)	200-9019.00-00000	40 mm	max. 30 mm	L30		screw-on	10 pcs.
a)	200-9020.00-00000	40 mm	max. 30 mm	L30	Grounding nut	screw-on	10 pcs.
a)	200-9023.00-00000	50 mm	max. 40 mm	L40		screw-on	10 pcs.
a)	200-9024.00-00000	50 mm	max. 40 mm	L40	Grounding nut	screw-on	10 pcs.
a)	200-9027.00-00000	60 mm	max. 50 mm	L50		screw-on	10 pcs.
a)	200-9028.00-00000	60 mm	max. 50 mm	L50	Grounding nut	screw-on	10 pcs.

Quarter-Turn housing, zinc die, black + nut

	Part Number	Housing length	Door-thickness (S)	suitable Adapter set	Grounding type	Installation type	Delivery Unit
a)	200-9013.00-00000	30 mm	max. 20 mm	L20		screw-on	10 pcs.
a)	200-9014.00-00000	30 mm	max. 20 mm	L20	Grounding nut	screw-on	10 pcs.
a)	200-9017.00-00000	36 mm	max. 26 mm	L26		screw-on	10 pcs.
a)	200-9018.00-00000	36 mm	max. 26 mm	L26	Grounding nut	screw-on	10 pcs.
a)	200-9021.00-00000	40 mm	max. 30 mm	L30		screw-on	10 pcs.
a)	200-9022.00-00000	40 mm	max. 30 mm	L30	Grounding nut	screw-on	10 pcs.
a)	200-9025.00-00000	50 mm	max. 40 mm	L40		screw-on	10 pcs.
a)	200-9026.00-00000	50 mm	max. 40 mm	L40	Grounding nut	screw-on	10 pcs.
a)	200-9029.00-00000	60 mm	max. 50 mm	L50		screw-on	10 pcs.
a)	200-9030.00-00000	60 mm	max. 50 mm	L50	Grounding nut	screw-on	10 pcs.

Function



extension

- e) 209-9006.00-00000 **Sealing kit IP65/IP67 for Quarter-Turns Pr20.1 L30-60**



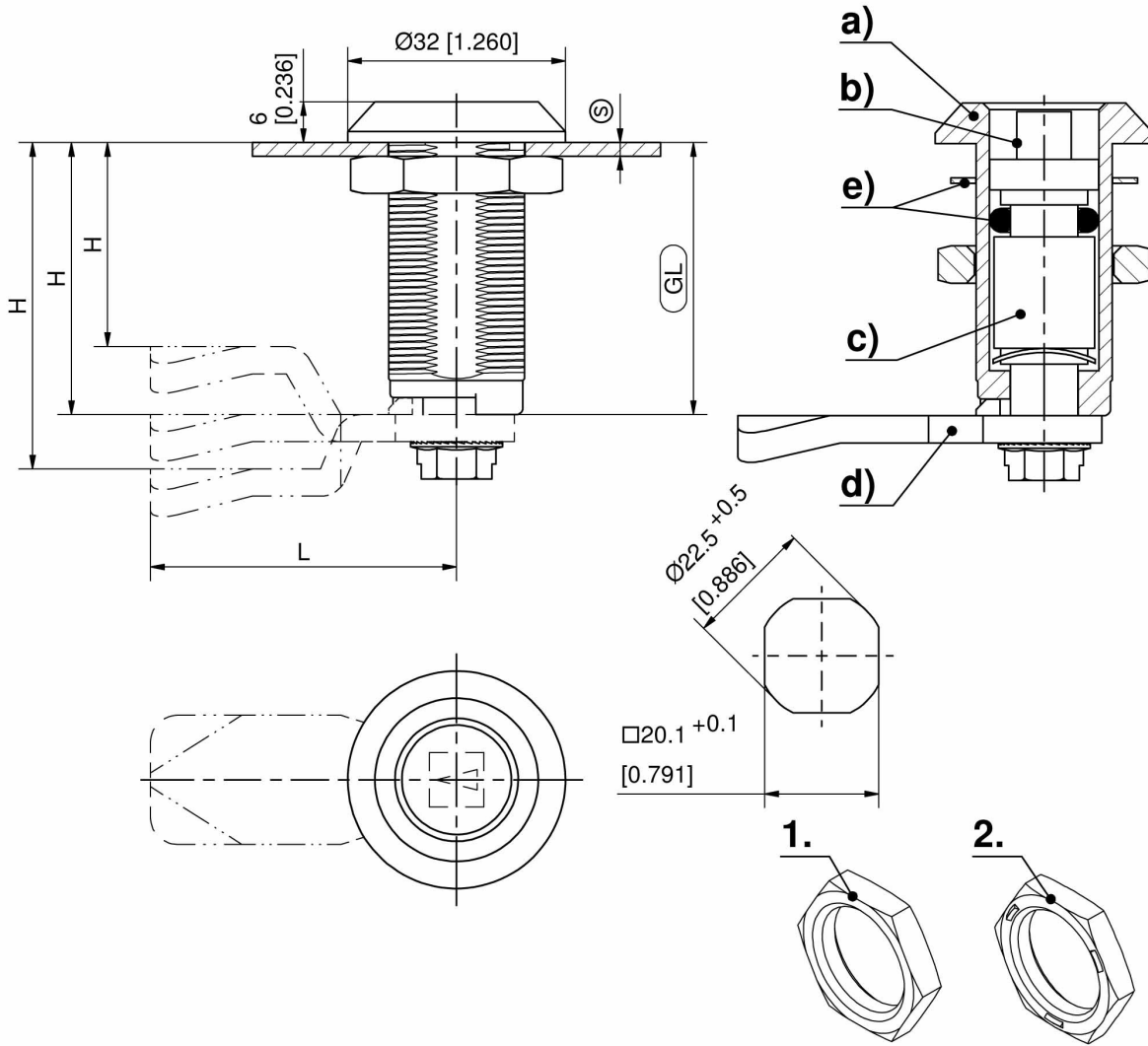
Assembly options

- 200-0003.00-00000 **Assembling adapter without o-ring**
- 200-0004.00-00000 **Assembling adapter, with o-ring**
- 200-0019.00-00000 **Assembling cam 90° to handle without o-ring**
- 200-0033.00-00000 **Assembling cam 90° to handle with o-ring**



Accessories

- b) 1-101 **Inserts Pr20.1**
- c) 200-9031.00-00000 **Adapter set L20**
- c) 200-9032.00-00000 **Adapter set L26**
- c) 200-9033.00-00000 **Adapter set L30**
- c) 200-9034.00-00000 **Adapter set L40**
- c) 200-9035.00-00000 **Adapter set L50**
- d) 1-102 **Cams L35/45 Steel**
- 1-260 **Hooked Cam**
- 1-262 **Cams variable**
- 1-115 **Handles for Quarter-turns Pr20.1**
- 1-270 **Dust Caps and Sealing Plug Pr20.1**
- 1-270.01 **Finger Pull for Quarter-Turn Pr20.1**
- 1-275 **Emergency Handle + Anti-Rotation Device Pr20.1**
- 6-100 **Wrenches and Keys**
- 6-101 **Universal key**





1-110.01 Quarter-Turn Pr20.1 L36



Avantages

- Flat Quarter-turn for cutout Pr20.1.
- IP65/67 according to DIN EN 60529 by sealing kit (optional).
- RH / LH application.
- Grounding by grounding nut.
- On request parts can be assembled.
- The Quarter-turn can be screwed into the cutout with the pre-assembled cam.

Materials

- **Housing:** zinc die, matte chrome plated, glossy chrome plated or black
- **Nut:** steel, zinc plated
- **Grounding nut:** zinc die, untreated

Notes

Door-thickness (S) max. 26mm
Please configure the Quarter-turn with insert (adapter) and cam.



Quarter-Turn housing

	Part Number	Surface	Grounding type	Installation type	Delivery Unit
a)	100-9065.40-00036	matte chrome plated		screw-on	10 pcs.
a)	100-9065.31-00036	glossy chrome plated		screw-on	10 pcs.
a)	100-9065.00-00000	black		screw-on	10 pcs.
a)	100-9070.00-00036	matte chrome plated	Grounding nut	screw-on	10 pcs.
a)	100-9068.00-00036	glossy chrome plated	Grounding nut	screw-on	10 pcs.
a)	100-9066.00-00036	black	Grounding nut	screw-on	10 pcs.

Specific

* accessories

- c) 100-9206.00-00024 **Adapter set L36**

Function

+ extension

- e) 209-9006.00-00000 **Sealing kit IP65/IP67 for Quarter-Turns Pr20.1 L30-60**

Assembly options

200-0003.00-00000 **Assembling adapter without o-ring**

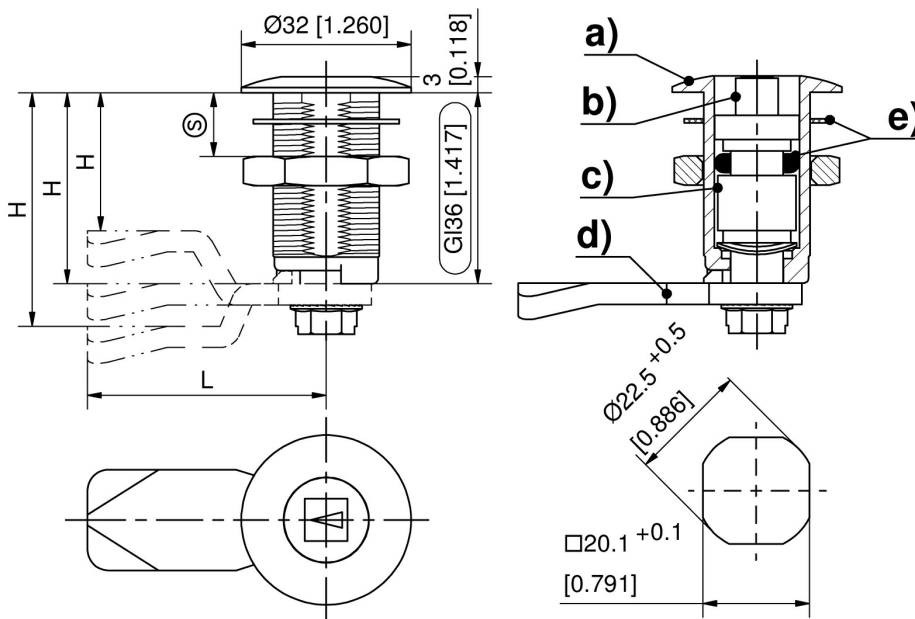
200-0004.00-00000 **Assembling adapter, with o-ring**

200-0019.00-00000 **Assembling cam 90° to handle without o-ring**

200-0033.00-00000 **Assembling cam 90° to handle with o-ring**

* Accessories

- d) 1-102 **Cams L35/45 Steel**
- d) 1-260 **Hooked Cam**
- d) 1-261 **Cams with Ramp**
- d) 1-262 **Cams variable**
- b) 1-101 **Inserts Pr20.1**





1-101 Inserts Pr20.1



Avantages

- For quarter-turn cutout 20.1

Materials

Notes

1. inserts zinc die, consisting of: insert, spring washer and self locking screw
 2. inserts PA, consisting of: insert, spring washer and self-tapping screw
- Suitable keys see product-system 6-100 and 6-101.



Insert, zinc die, chrome plated glossy

	Part Number	Insert	Indicator	Delivery Unit
a)	200-9101.00-00000	Square 6mm		10 pcs.
a1)	200-9102.00-00000	Square 7mm	Yes	10 pcs.
a2)	200-9103.00-00000	Square 8mm	Yes	10 pcs.
a3)	200-9111.00-00000	Square 8mm, slotted		10 pcs.
b)	200-9106.00-00000	Triangular 6,5mm CNOMO Type 1		10 pcs.
b1)	200-9104.00-00000	Triangular 7mm		10 pcs.
b2)	200-9105.00-00000	Triangular 8mm		10 pcs.
b3)	200-9147.00-00000	Triangular 9mm EDF		10 pcs.
b4)	100-9166.00-00000	Triangular 9mm	Yes	10 pcs.
c)	200-9107.00-00000	Double bit 3mm pin		10 pcs.
c1)	200-9108.00-00000	Double bit 5mm pin		10 pcs.
d)	200-9171.00-00000	Hex. SW 7/16"		10 pcs.
d1)	200-9185.00-00000	Hex. SW10		10 pcs.
e)	200-9142.00-00000	Socket hex. 6mm		10 pcs.
e1)	200-9196.00-00000	Socket hex. SW 8mm		10 pcs.
e2)	200-9112.00-00000	Socket hex. 10mm		10 pcs.
e3)	200-9172.00-00000	Socket hex. 5/16" pin 3mm		10 pcs.
f)	200-9166.00-00000	Square socket 6mm		10 pcs.
f1)	200-9167.00-00000	Square socket 7mm		10 pcs.
f2)	200-9168.00-00000	Square socket 8mm		10 pcs.
g)	200-9109.00-00000	Daimler Benz pin		10 pcs.
h)	200-9113.00-00000	Slotted 2x4mm		10 pcs.
i)	200-9110.00-00000	Crown type		10 pcs.
k)	200-9164.00-00000	Slotted recessed coinproof		10 pcs.
l)	200-9154.00-00000	Half-round czech		10 pcs.
m)	200-9170.00-00000	FIAT		10 pcs.
n)	200-9141.00-00000	GDF 10 x 5mm France		10 pcs.

Insert, zinc die, matt chrome plated

	Part Number	Insert	Delivery Unit
a1)	200-9102.40-00000	Square 7mm	10 pcs.
a2)	200-9128.40-00000	Square 8mm	10 pcs.
b2)	200-9105.40-00000	Triangular 8mm	10 pcs.
c)	200-9131.40-00000	Double bit 3mm pin	10 pcs.
c1)	200-9132.40-00000	Double bit 5mm pin	10 pcs.

Insert, zinc die, black

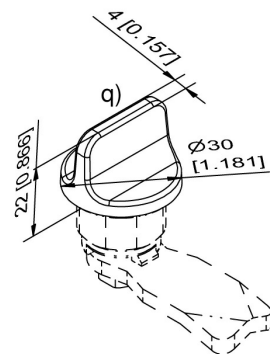
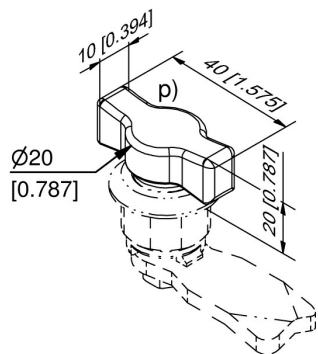
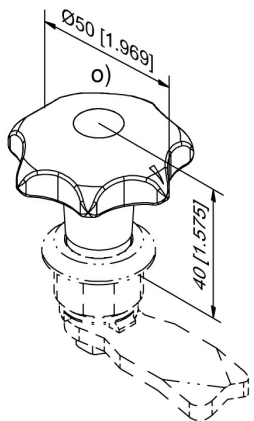
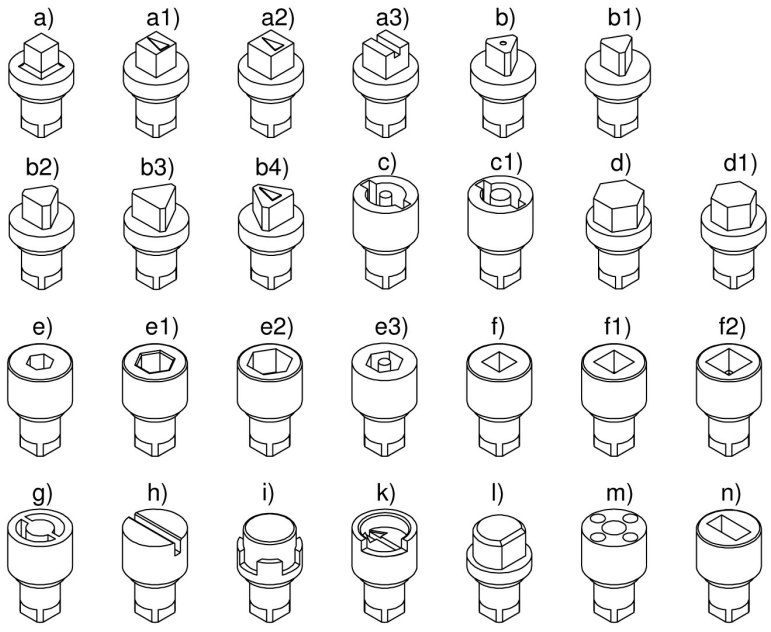
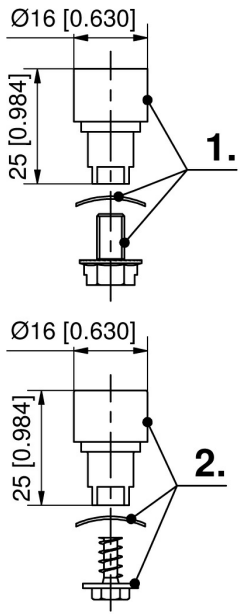
	Part Number	Insert	Indicator	Delivery Unit
a)	200-9127.00-00000	Square 6mm		10 pcs.
a1)	200-9116.00-00000	Square 7mm	Yes	10 pcs.
a2)	200-9128.00-00000	Square 8mm	Yes	10 pcs.
b1)	200-9129.00-00000	Triangular 7mm		10 pcs.
b2)	200-9130.00-00000	Triangular 8mm		10 pcs.
b3)	200-9148.00-00000	Triangular 9mm EDF		10 pcs.
b4)	100-9167.00-00000	Triangular 9mm	Yes	10 pcs.
c)	200-9131.00-00000	Double bit 3mm pin		10 pcs.
c1)	200-9132.00-00000	Double bit 5mm pin		10 pcs.
d)	100-9127.00-00000	Hex. SW 7/16"		10 pcs.
e1)	200-9197.00-00000	Socket hex. SW 8mm		10 pcs.
e3)	200-9178.00-00000	Socket hex. 5/16" pin 3mm		10 pcs.
g)	200-9133.00-00000	Daimler Benz pin		10 pcs.
h)	200-9143.00-00000	Slotted 2x4mm		10 pcs.
k)	200-9169.00-00000	Slotted recessed coinproof		10 pcs.
q)	100-9115.00-00000	Wing knob (only for housings Ø28)		10 pcs.

Insert, PA / zinc die comb. black

	Part Number	Insert	Delivery Unit
c)	200-9117.00-00000	Double bit 3mm pin	10 pcs.
c1)	200-9118.00-00000	Double bit 5mm pin	10 pcs.
h)	200-9126.00-00000	Slotted 2x4mm	10 pcs.
o)	200-9114.00-00000	Star knob	10 pcs.
p)	200-9115.00-00000	Wing knob	10 pcs.

Insert, PA black

	Part Number	Insert	Delivery Unit
a1)	200-9155.00-00000	Square 7mm	10 pcs.
a2)	200-9156.00-00000	Square 8mm	10 pcs.
b2)	200-9158.00-00000	Triangular 8mm	10 pcs.
c)	200-9159.00-00000	Double bit 3mm pin	10 pcs.
c1)	200-9160.00-00000	Double bit 5mm pin	10 pcs.
h)	200-9161.00-00000	Slotted 2x4mm	10 pcs.
k)	200-9186.00-00000	Slotted recessed coinproof	10 pcs.
l)	200-9184.00-00000	Half-round czech	10 pcs.
p)	200-9173.00-00000	Wing knob	10 pcs.





1-900.04 Adapter

Avantages

Materials

Adapter

Part Number	Name	Delivery Unit
100-9019.00-00000	Adapter set L14	1 pc.
200-9031.00-00000	Adapter set L20	10 pcs.
100-9020.00-00000	Adapter set L21	1 pc.
100-9021.00-00000	Adapter set L25	1 pc.
200-9032.00-00000	Adapter set L26	10 pcs.
200-9033.00-00000	Adapter set L30	10 pcs.
100-9022.00-00000	Adapter set L33	1 pc.
100-9206.00-00024	Adapter set L36	10 pcs.
200-9034.00-00000	Adapter set L40	10 pcs.
100-9023.00-00000	Adapter set L44	1 pc.
200-9035.00-00000	Adapter set L50	10 pcs.

1-102 Cams L35/45 Steel



Advantages

- Cams with ramp and stop with 35mm and 45mm length for 1-point locking.
- 3-Point cam for 3-point locking.
- Rod control for 2-point locking.

Materials

- **Cams:** steel, zinc plated

Notes

1. ramp 3mm
 2. stroke 18mm at 90° rotation
 3. c-clips (are included)
- Cams L45 and 3-point cams with marking e) are supplied in 2 parts.
Slide shoe for cams 35 and 45mm, see product system 1-103.



Cams, L45

Part Number	H-dimension GI12	H-dimension GI18	H-dimension GI20	H-dimension GI22	H-dimension GI30	H-dimension GI32	H-dimension GI36	H-dimension GI40	H-dimension GI42	H-dimension GI46	H-dimension GI50	H-dimension GI56	H-dimension GI60	H-dimension GI66	Delivery Unit
200- a) 0402.00- 00000		2 mm	4 mm	6 mm	14 mm	16 mm	20 mm	24 mm	26 mm	30 mm	34 mm	40 mm	44 mm	50 mm	10 pcs.
200- a) 0404.00- 00000		4 mm	6 mm	8 mm	16 mm	18 mm	22 mm	26 mm	28 mm	32 mm	36 mm	42 mm	46 mm	52 mm	10 pcs.
200- a) 0406.00- 00000		6 mm	8 mm	10 mm	18 mm	20 mm	24 mm	28 mm	30 mm	34 mm	38 mm	44 mm	48 mm	54 mm	10 pcs.
200- a) 0408.00- 00000		8 mm	10 mm	12 mm	20 mm	22 mm	26 mm	30 mm	32 mm	36 mm	40 mm	46 mm	50 mm	56 mm	10 pcs.
200- a) 0410.00- 00000		10 mm	12 mm	14 mm	22 mm	24 mm	28 mm	32 mm	34 mm	38 mm	42 mm	48 mm	52 mm	58 mm	10 pcs.
200- a) 0413.00- 7 mm 00000		13 mm	15 mm	17 mm	25 mm	27 mm	31 mm	35 mm	37 mm	41 mm	45 mm	51 mm	55 mm	61 mm	10 pcs.
200- a) 0414.00- 8 mm 00000		14 mm	16 mm	18 mm	26 mm	28 mm	32 mm	36 mm	38 mm	42 mm	46 mm	52 mm	56 mm	62 mm	10 pcs.
200- a) 0416.00- 10 mm 00000		16 mm	18 mm	20 mm	28 mm	30 mm	34 mm	38 mm	40 mm	44 mm	48 mm	54 mm	58 mm	64 mm	10 pcs.
200- a) 0418.00- 12 mm 00000		18 mm	20 mm	22 mm	30 mm	32 mm	36 mm	40 mm	42 mm	46 mm	50 mm	56 mm	60 mm	66 mm	10 pcs.
200- a) 0420.00- 14 mm 00000		20 mm	22 mm	24 mm	32 mm	34 mm	38 mm	42 mm	44 mm	48 mm	52 mm	58 mm	62 mm	68 mm	10 pcs.
200- a) 0422.00- 16 mm 00000		22 mm	24 mm	26 mm	34 mm	36 mm	40 mm	44 mm	46 mm	50 mm	54 mm	60 mm	64 mm	70 mm	10 pcs.
200- a) 0424.00- 18 mm 00000		24 mm	26 mm	28 mm	36 mm	38 mm	42 mm	46 mm	48 mm	52 mm	56 mm	62 mm	66 mm	72 mm	10 pcs.
200- a) 0425.00- 19 mm 00000		25 mm	27 mm	29 mm	37 mm	39 mm	43 mm	47 mm	49 mm	53 mm	57 mm	63 mm	67 mm	73 mm	10 pcs.
200- a) 0426.00- 20 mm 00000		26 mm	28 mm	30 mm	38 mm	40 mm	44 mm	48 mm	50 mm	54 mm	58 mm	64 mm	68 mm	74 mm	10 pcs.
200- a) 0428.00- 22 mm 00000		28 mm	30 mm	32 mm	40 mm	42 mm	46 mm	50 mm	52 mm	56 mm	60 mm	66 mm	70 mm	76 mm	10 pcs.
200- a) 0430.00- 24 mm 00000		30 mm	32 mm	34 mm	42 mm	44 mm	48 mm	52 mm	54 mm	58 mm	62 mm	68 mm	72 mm	78 mm	10 pcs.

a) 0432.00-00000	26 mm	32 mm	34 mm	36 mm	44 mm	46 mm	50 mm	54 mm	56 mm	60 mm	64 mm	70 mm	74 mm	80 mm	10 pcs.
a) 0434.00-00000	28 mm	34 mm	36 mm	38 mm	46 mm	48 mm	52 mm	56 mm	58 mm	62 mm	66 mm	72 mm	76 mm	82 mm	10 pcs.
a) 0435.00-00000	29 mm	35 mm	37 mm	39 mm	47 mm	49 mm	53 mm	57 mm	59 mm	63 mm	67 mm	73 mm	77 mm	83 mm	10 pcs.
a) 0436.00-00000	30 mm	36 mm	38 mm	40 mm	48 mm	50 mm	54 mm	58 mm	60 mm	64 mm	68 mm	74 mm	78 mm	84 mm	10 pcs.
a) 0438.00-00000	32 mm	38 mm	40 mm	42 mm	50 mm	52 mm	56 mm	60 mm	62 mm	66 mm	70 mm	76 mm	80 mm	86 mm	10 pcs.
a) 0440.00-00000	34 mm	40 mm	42 mm	44 mm	52 mm	54 mm	58 mm	62 mm	64 mm	68 mm	72 mm	78 mm	82 mm	88 mm	10 pcs.
a) 0442.00-00000	36 mm	42 mm	44 mm	46 mm	54 mm	56 mm	60 mm	64 mm	66 mm	70 mm	74 mm	80 mm	84 mm	90 mm	10 pcs.
a) 0444.00-00000	38 mm	44 mm	46 mm	48 mm	56 mm	58 mm	62 mm	66 mm	68 mm	72 mm	76 mm	82 mm	86 mm	92 mm	10 pcs.
e) 0445.00-00000	39 mm	45 mm	47 mm	49 mm	57 mm	59 mm	63 mm	67 mm	69 mm	73 mm	77 mm	83 mm	87 mm	93 mm	10 pcs.
e) 0447.00-00000	41 mm	47 mm	49 mm	51 mm	59 mm	61 mm	65 mm	69 mm	71 mm	75 mm	79 mm	85 mm	89 mm	95 mm	10 pcs.
e) 0450.00-00000	44 mm	50 mm	52 mm	54 mm	62 mm	64 mm	68 mm	72 mm	74 mm	78 mm	82 mm	88 mm	92 mm	98 mm	10 pcs.
a) 0453.00-00000	47 mm	53 mm	55 mm	57 mm	65 mm	67 mm	71 mm	75 mm	77 mm	81 mm	85 mm	91 mm	95 mm	101 mm	10 pcs.
a) 0455.00-00000	49 mm	55 mm	57 mm	59 mm	67 mm	69 mm	73 mm	77 mm	79 mm	83 mm	87 mm	93 mm	97 mm	103 mm	10 pcs.

Cams, L35

Part Number	H-dimension GI12	H-dimension GI18	H-dimension GI20	H-dimension GI22	H-dimension GI30	H-dimension GI32	H-dimension GI36	H-dimension GI40	H-dimension GI42	H-dimension GI46	H-dimension GI50	H-dimension GI56	H-dimension GI60	H-dimension GI66	Delivery Unit
b) 200-0606.00-00000	6 mm	8 mm	10 mm	18 mm	20 mm	24 mm	28 mm	30 mm	34 mm	38 mm	44 mm	48 mm	54 mm	10 pcs.	
b) 200-0608.00-00000	8 mm	10 mm	12 mm	20 mm	22 mm	26 mm	30 mm	32 mm	36 mm	40 mm	46 mm	50 mm	56 mm	10 pcs.	
b) 200-0610.00-00000	10 mm	12 mm	14 mm	22 mm	24 mm	28 mm	32 mm	34 mm	38 mm	42 mm	48 mm	52 mm	58 mm	10 pcs.	
b) 200-0613.00-00000	7 mm	13 mm	15 mm	17 mm	25 mm	27 mm	31 mm	35 mm	37 mm	41 mm	45 mm	51 mm	55 mm	61 mm	10 pcs.
b) 200-0614.00-00000	8 mm	14 mm	16 mm	18 mm	26 mm	28 mm	32 mm	36 mm	38 mm	42 mm	46 mm	52 mm	56 mm	62 mm	10 pcs.
b) 200-0616.00-00000	10 mm	16 mm	18 mm	20 mm	28 mm	30 mm	34 mm	38 mm	40 mm	44 mm	48 mm	54 mm	58 mm	64 mm	10 pcs.
b) 200-0618.00-00000	12 mm	18 mm	20 mm	22 mm	30 mm	32 mm	36 mm	40 mm	42 mm	46 mm	50 mm	56 mm	60 mm	66 mm	10 pcs.
b) 200-0620.00-00000	14 mm	20 mm	22 mm	24 mm	32 mm	34 mm	38 mm	42 mm	44 mm	48 mm	52 mm	58 mm	62 mm	68 mm	10 pcs.
b) 200-0622.00-00000	16 mm	22 mm	24 mm	26 mm	34 mm	36 mm	40 mm	44 mm	46 mm	50 mm	54 mm	60 mm	64 mm	70 mm	10 pcs.
b) 200-0624.00-00000	18 mm	24 mm	26 mm	28 mm	36 mm	38 mm	42 mm	46 mm	48 mm	52 mm	56 mm	62 mm	66 mm	72 mm	10 pcs.
b) 200-0625.00-00000	19 mm	25 mm	27 mm	29 mm	37 mm	39 mm	43 mm	47 mm	49 mm	53 mm	57 mm	63 mm	67 mm	73 mm	10 pcs.
b) 200-0626.00-00000	20 mm	26 mm	28 mm	30 mm	38 mm	40 mm	44 mm	48 mm	50 mm	54 mm	58 mm	64 mm	68 mm	74 mm	10 pcs.

a) 200-0628.00-00000	22 mm	28 mm	30 mm	32 mm	40 mm	42 mm	46 mm	50 mm	52 mm	56 mm	60 mm	66 mm	70 mm	76 mm	10 pcs.
b) 200-0630.00-00000	24 mm	30 mm	32 mm	34 mm	42 mm	44 mm	48 mm	52 mm	54 mm	58 mm	62 mm	68 mm	72 mm	78 mm	10 pcs.
b) 200-0635.00-00000	29 mm	35 mm	37 mm	39 mm	47 mm	49 mm	53 mm	57 mm	59 mm	63 mm	67 mm	73 mm	77 mm	83 mm	10 pcs.
a) 200-0638.00-00000	32 mm	38 mm	40 mm	42 mm	50 mm	52 mm	56 mm	60 mm	62 mm	66 mm	70 mm	76 mm	80 mm	86 mm	10 pcs.
b) 200-0640.00-00000	34 mm	40 mm	42 mm	44 mm	52 mm	54 mm	58 mm	62 mm	64 mm	68 mm	72 mm	78 mm	82 mm	88 mm	10 pcs.
b) 200-0642.00-00000	36 mm	42 mm	44 mm	46 mm	54 mm	56 mm	60 mm	64 mm	66 mm	70 mm	74 mm	80 mm	84 mm	90 mm	10 pcs.
b) 200-0644.00-00000	38 mm	44 mm	46 mm	48 mm	56 mm	58 mm	62 mm	66 mm	68 mm	72 mm	76 mm	82 mm	86 mm	92 mm	10 pcs.

3-point cam

Part Number	H-dimension GI12	H-dimension GI18	H-dimension GI20	H-dimension GI22	H-dimension GI30	H-dimension GI32	H-dimension GI36	H-dimension GI40	H-dimension GI42	H-dimension GI46	H-dimension GI50	H-dimension GI56	H-dimension GI60	H-dimension GI66	Delivery Unit
c) 200-9504.00-00000	4 mm	6 mm	8 mm	16 mm	18 mm	22 mm	26 mm	28 mm	32 mm	36 mm	42 mm	46 mm	52 mm	1 pc.	
c) 200-9506.00-00000	6 mm	8 mm	10 mm	18 mm	20 mm	24 mm	28 mm	30 mm	34 mm	38 mm	44 mm	48 mm	54 mm	1 pc.	
c) 200-9508.00-00000	8 mm	10 mm	12 mm	20 mm	22 mm	26 mm	30 mm	32 mm	36 mm	40 mm	46 mm	50 mm	56 mm	1 pc.	
c) 200-9510.00-00000	10 mm	12 mm	14 mm	22 mm	24 mm	28 mm	32 mm	34 mm	38 mm	42 mm	48 mm	52 mm	58 mm	1 pc.	
c) 200-9513.00-00000	7 mm	13 mm	15 mm	17 mm	25 mm	27 mm	31 mm	35 mm	37 mm	41 mm	45 mm	51 mm	55 mm	61 mm	1 pc.
c) 200-9514.00-00000	8 mm	14 mm	16 mm	18 mm	26 mm	28 mm	32 mm	36 mm	38 mm	42 mm	46 mm	52 mm	56 mm	62 mm	1 pc.
c) 200-9516.00-00000	10 mm	16 mm	18 mm	20 mm	28 mm	30 mm	34 mm	38 mm	40 mm	44 mm	48 mm	54 mm	58 mm	64 mm	1 pc.
c) 200-9518.00-00000	12 mm	18 mm	20 mm	22 mm	30 mm	32 mm	36 mm	40 mm	42 mm	46 mm	50 mm	56 mm	60 mm	66 mm	1 pc.
c) 200-9520.00-00000	14 mm	20 mm	22 mm	24 mm	32 mm	34 mm	38 mm	42 mm	44 mm	48 mm	52 mm	58 mm	62 mm	68 mm	1 pc.
c) 200-9522.00-00000	16 mm	22 mm	24 mm	26 mm	34 mm	36 mm	40 mm	44 mm	46 mm	50 mm	54 mm	60 mm	64 mm	70 mm	1 pc.
c) 200-9524.00-00000	18 mm	24 mm	26 mm	28 mm	36 mm	38 mm	42 mm	46 mm	48 mm	52 mm	56 mm	62 mm	66 mm	72 mm	1 pc.
c) 200-9525.00-00000	19 mm	25 mm	27 mm	29 mm	37 mm	39 mm	43 mm	47 mm	49 mm	53 mm	57 mm	63 mm	67 mm	73 mm	1 pc.
b) 200-9526.00-00000	20 mm	26 mm	28 mm	30 mm	38 mm	40 mm	44 mm	48 mm	50 mm	54 mm	58 mm	64 mm	68 mm	74 mm	1 pc.
c) 200-9528.00-00000	22 mm	28 mm	30 mm	32 mm	40 mm	42 mm	46 mm	50 mm	52 mm	56 mm	60 mm	66 mm	70 mm	76 mm	1 pc.
c) 200-9530.00-00000	24 mm	30 mm	32 mm	34 mm	42 mm	44 mm	48 mm	52 mm	54 mm	58 mm	62 mm	68 mm	72 mm	78 mm	1 pc.
c) 200-9532.00-00000	26 mm	32 mm	34 mm	36 mm	44 mm	46 mm	50 mm	54 mm	56 mm	60 mm	64 mm	70 mm	74 mm	80 mm	1 pc.
c) 200-9534.00-00000	28 mm	34 mm	36 mm	38 mm	46 mm	48 mm	52 mm	56 mm	58 mm	62 mm	66 mm	72 mm	76 mm	82 mm	1 pc.
c) 200-9535.00-00000	29 mm	35 mm	37 mm	39 mm	47 mm	49 mm	53 mm	57 mm	59 mm	63 mm	67 mm	73 mm	77 mm	83 mm	1 pc.
c) 200-9536.00-00000	30 mm	36 mm	38 mm	40 mm	48 mm	50 mm	54 mm	58 mm	60 mm	64 mm	68 mm	74 mm	78 mm	84 mm	1 pc.
c) 200-9538.00-00000	32 mm	38 mm	40 mm	42 mm	50 mm	52 mm	56 mm	60 mm	62 mm	66 mm	70 mm	76 mm	80 mm	86 mm	1 pc.
c) 200-9540.00-00000	34 mm	40 mm	42 mm	44 mm	52 mm	54 mm	58 mm	62 mm	64 mm	68 mm	72 mm	78 mm	82 mm	88 mm	1 pc.
c) 200-9542.00-00000	36 mm	42 mm	44 mm	46 mm	54 mm	56 mm	60 mm	64 mm	66 mm	70 mm	74 mm	80 mm	84 mm	90 mm	1 pc.
c) 200-9544.00-00000	38 mm	44 mm	46 mm	48 mm	56 mm	58 mm	62 mm	66 mm	68 mm	72 mm	76 mm	82 mm	86 mm	92 mm	1 pc.

00000															
200-															
e) 9545.00- 39 mm	45 mm	47 mm	49 mm	57 mm	59 mm	63 mm	67 mm	69 mm	73 mm	77 mm	83 mm	87 mm	93 mm	1 pc.	
00000															
200-															
e) 9547.00- 41 mm	47 mm	49 mm	51 mm	59 mm	61 mm	65 mm	69 mm	71 mm	75 mm	79 mm	85 mm	89 mm	95 mm	1 pc.	
00000															
200-															
e) 9550.00- 44 mm	50 mm	52 mm	54 mm	62 mm	64 mm	68 mm	72 mm	74 mm	78 mm	82 mm	88 mm	92 mm	98 mm	1 pc.	
00000															

Rod control

	Part Number	Stop	Installation type	Delivery Unit
d)	200-9599.00-00000	Yes	screw-on	1 pc.

- 1-103 Slide Shoe for Cams
- 1-260 Hooked Cam
- 1-261 Cams with Ramp
- 1-262 Cams variable
- 2-150 3-Point Cam L45, Rod Control
- 2-151 2-, 3- and 4-Point Cam Adapter
- 2-151.01 3-Point Adapter with H-Dimension Adjustment
- 2-151.04 3-Point Cam Adapter

