



## 2-090.01 Swinghandle RS PrC with Key Cylinder



### Avantages

- Swinghandle with liftable operating lever.
- 90° Closing rotation.
- Swinghandle can be locked by assembled key cylinder with 2 keys.
- The listed swinghandles, can be retrofitted with a sliding cap (product system 2-091).
- IP65 according to DIN EN 60529.
- RH / LH application.
- Grounding by grounding clip (optional).

### Materials

- **Handle:** zinc die, chrome plated or black or PA, black
- **Dish, cap and cylinder dustcover:** PA, black
- **Shaft:** brass
- **Bearing plate:** zinc die, untreated
- **Seals:** NBR

### Notes

(S) Door-thickness 1.5 - 2.5mm  
Drawings for rod calculation:  
1. stroke 18mm  
2. clearance  
Alternative products see also 2-090, 2-090.02, 2-090.03, 2-090.04.

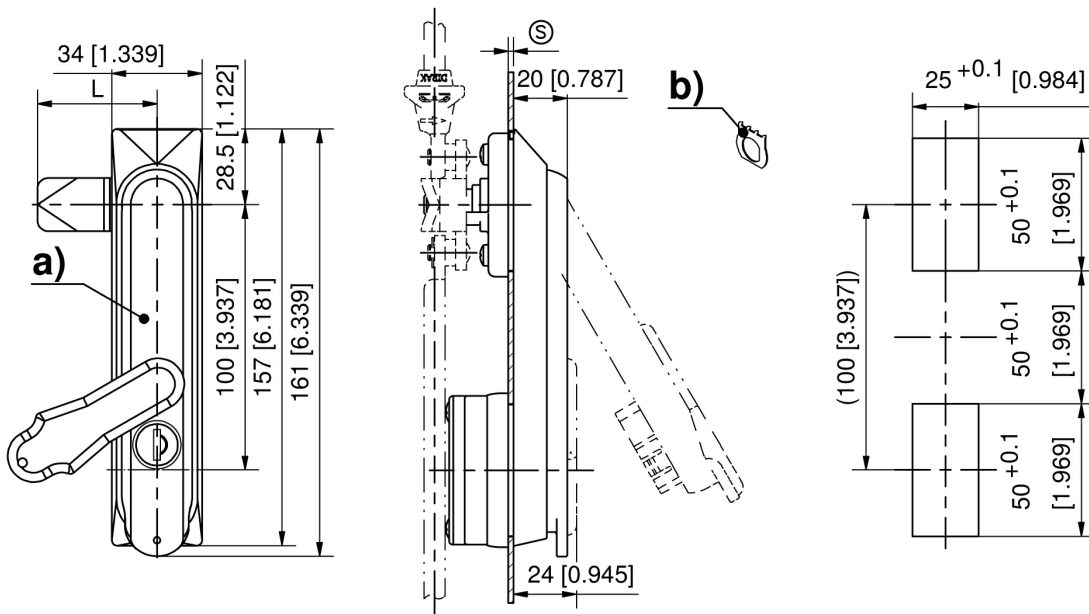


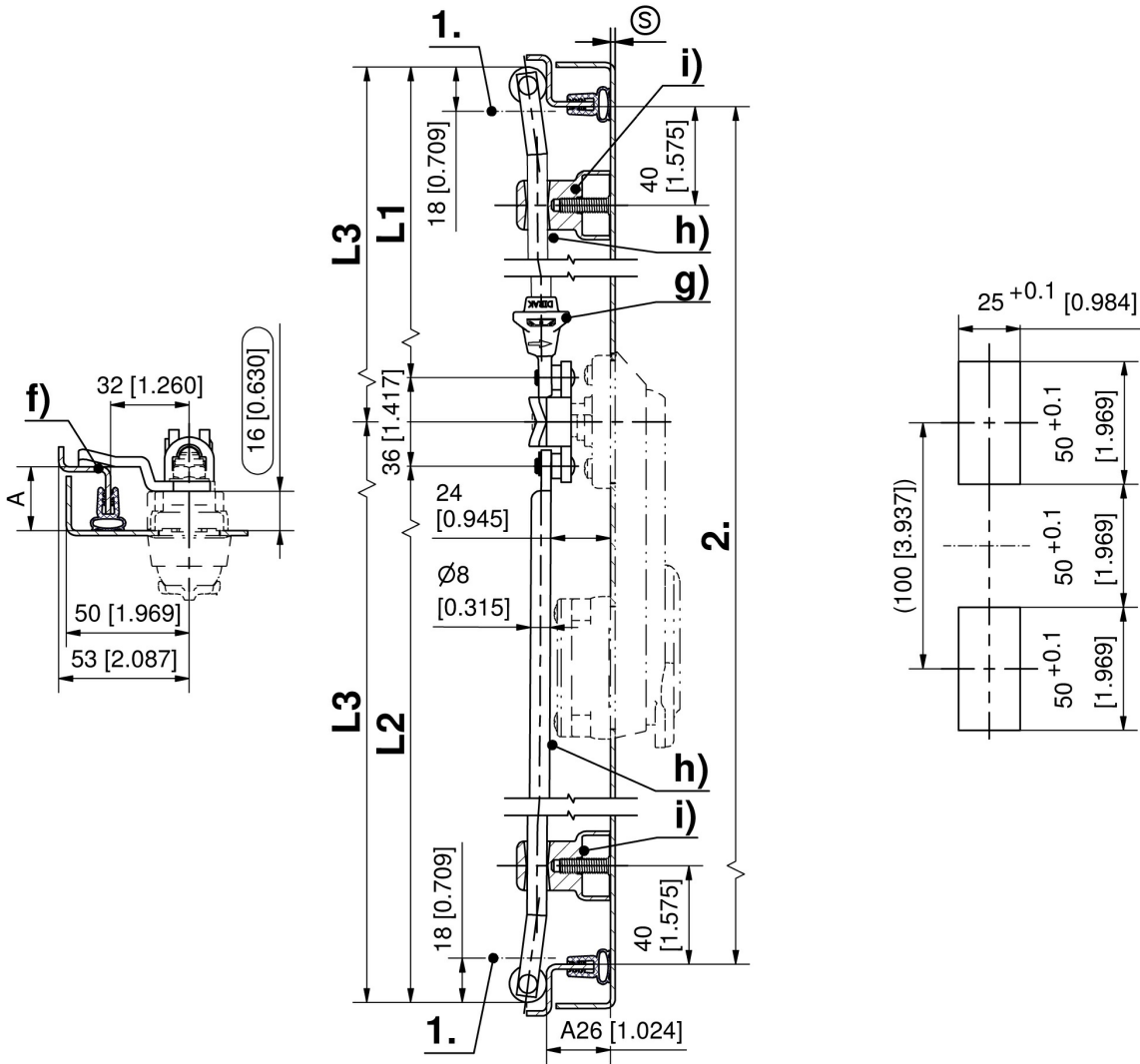
## Swinghandle with key cylinder

	Part Number	Latching type	Handle material	Surface handle	Cylinder cover material	Securable	Installation type	Delivery Unit
a)	207-9238.00-00000	keyed alike DIRAK 1333	PA	black			screw-on	1 pc.
a)	207-9240.00-00000	keyed alike DIRAK 1333	PA	black	PA	Yes	screw-on	1 pc.
a)	507-9238.00-00000	keyed alike DS200	PA	black			screw-on	1 pc.
a)	507-9240.00-00000	keyed alike DS200	PA	black	PA	Yes	screw-on	1 pc.
a)	207-9239.00-00000	keyed different	PA	black			screw-on	1 pc.
a)	207-9241.00-00000	keyed different	PA	black	PA	Yes	screw-on	1 pc.
a)	107-9201.00-00000	keyed alike DIRAK 1333	zinc die	chrome plated			screw-on	1 pc.
a)	107-9202.00-00000	keyed alike DIRAK 1333	zinc die	black			screw-on	1 pc.
a)	507-9201.00-00000	keyed alike DS200	zinc die	chrome plated			screw-on	1 pc.
a)	507-9202.00-00000	keyed alike DS200	zinc die	black			screw-on	1 pc.
a)	107-9203.00-00000	keyed different	zinc die	chrome plated			screw-on	1 pc.
a)	107-9204.00-00000	keyed different	zinc die	black			screw-on	1 pc.

\* Accessories

- b) 3-011 **Grounding Clip Stainless Steel**
- f) 2-150 **3-Point Cam L45, Rod Control**
- f) 2-151 **2-, 3- and 4-Point Cam Adapter**
- f) 2-151.04 **3-Point Cam Adapter**
- g) 1-181 **Adapter for Round Rods Ø8mm PA**
- g) 1-181.01 **Adapter for Round Rods Ø8mm / Ø10mm Zinc Die**
- h) 1-170 **Round Rods with Eye**
- h) 1-180 **Round Rods for Adapter**
- i) 1-190 **Rod Guides RS**
- i) 1-193 **Rod Guide RS**
- 2-091 **Sliding Cap**





Formula for rods with eye and rollers:  
cutout in the door center (rod length varies)

$$L_1 = \frac{\text{upper rod}}{2} = \frac{2 \cdot \text{clearance} - 12 \text{mm} [0.472]}{2 [0.079]} - 50 \text{ mm} [1.969] \quad L_2 = \frac{\text{lower rod}}{2} = \frac{2 \cdot \text{clearance} - 12 \text{mm} [0.472]}{2 [0.079]} + 50 \text{ mm} [1.969]$$

cutout outside the door center (rod length equal)

$$L_3 = \frac{2 \cdot \text{clearance} - 12 \text{mm} [0.472]}{2 [0.079]}$$