



2-100.02 Swinghandle RS 130 for PHZ



Avantages

- Swinghandle with 90° closing rotation.
- Fully insulated.
- Cutout Ø46mm or □46mm.
- Use of Profile-cylinder according to DIN 18252.
- Use of KABA-cylinder on request.
- Use of padlocks.
- IP65 according to DIN EN 60529.
- RH / LH application.

Materials

- **Swinghandle:** zinc die, black or PA, black
- **Dish and cap:** PA, black
- **Padlock eye:** stainless steel

Notes

(S) Door-thickness max. 3mm
1. stroke 18mm
2. clearance
Please note: when using the adapter Ø46mm 207-2701.03-00000 or □46mm 207-2702.03-00000 the swinghandle is no longer water and dust tight according to IP65 standards



Swinghandle for PHZ, Ø46

	Part Number	Latching type	Handle material	Cylinder cover material	Securable	Installation type	Delivery Unit
a)	207-9001.00-00000	PHZ 40mm	PA			screw-on	1 pc.
a)	207-9002.00-00000	PHZ 40mm	PA	PA	Yes	screw-on	1 pc.
a)	207-9003.00-00000	PHZ 45mm	PA	PA	Yes	screw-on	1 pc.
a)	207-9004.00-00000	PHZ 45mm	zinc die	PA	Yes	screw-on	1 pc.
a)	207-9008.00-00000	PHZ 40mm	zinc die			screw-on	1 pc.
a)	207-9009.00-00000	PHZ 40mm	zinc die	PA	Yes	screw-on	1 pc.

Swinghandle for PHZ, □46

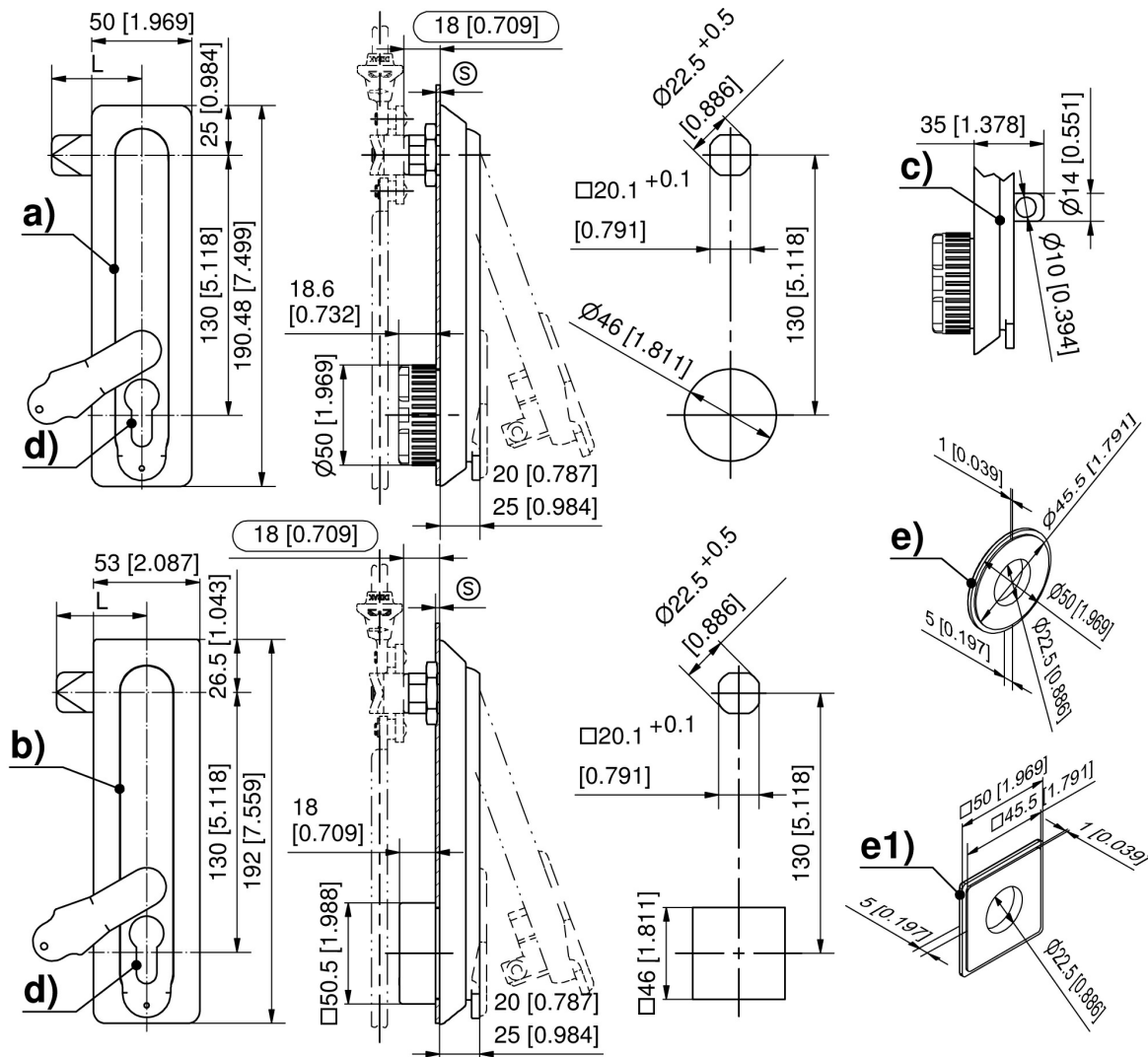
	Part Number	Latching type	Handle material	Cylinder cover material	Securable	Installation type	Delivery Unit
b)	207-9311.00-00000	PHZ 40mm	PA			screw-on	1 pc.
b)	207-9312.00-00000	PHZ 40mm	PA	PA	Yes	screw-on	1 pc.
b)	207-9313.00-00000	PHZ 45mm	PA	PA	Yes	screw-on	1 pc.
b)	207-9314.00-00000	PHZ 45mm	zinc die	PA	Yes	screw-on	1 pc.

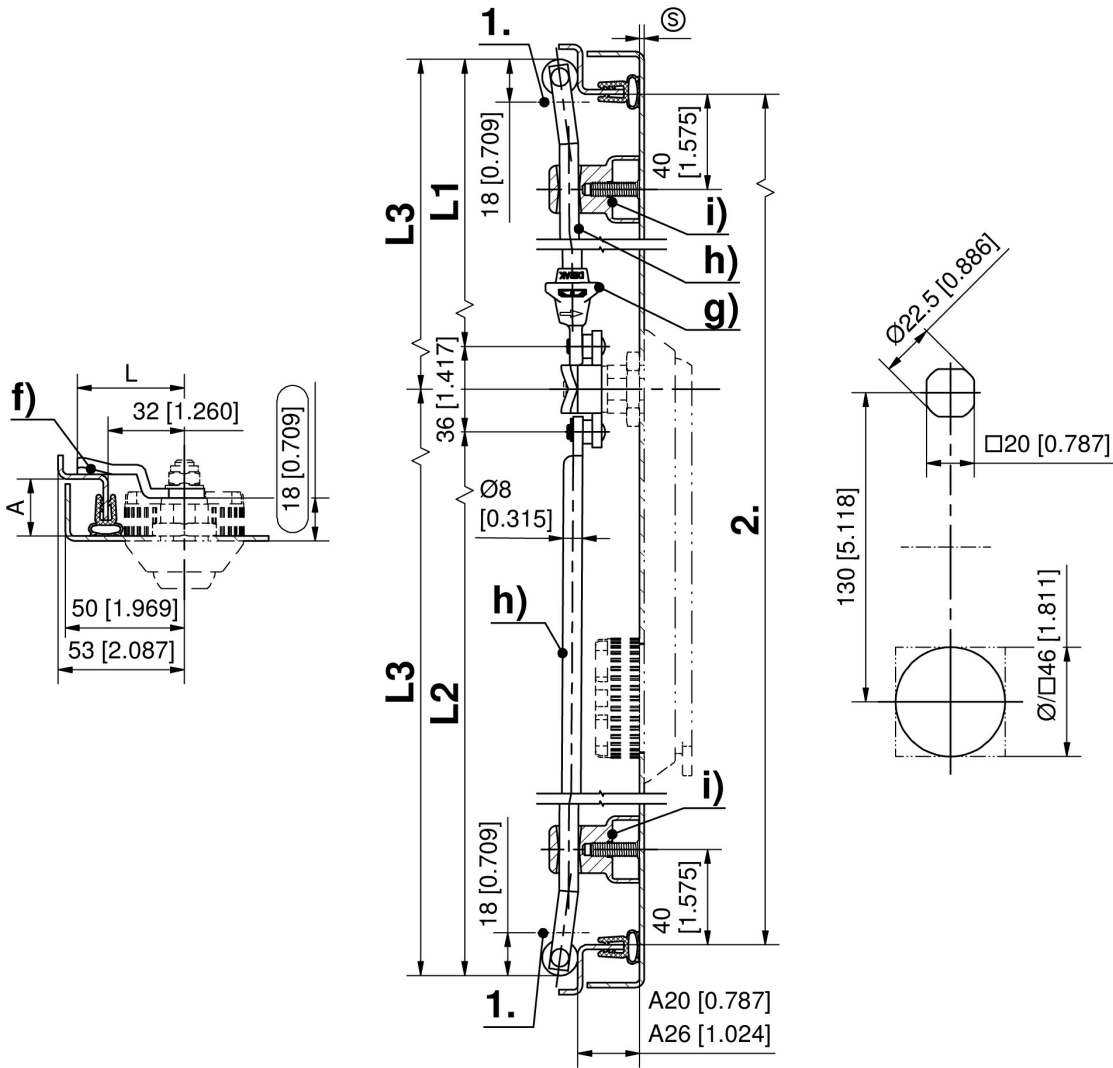
Swinghandle for profile cylinder, Ø46 and padlock

	Part Number	Latching type	Handle material	Padlock bolt	Installation type	Delivery Unit
c)	207-9006.00-00000	PHZ 40mm	PA	Yes	screw-on	1 pc.

* Accessories

- d) 2-140 **Profile-Cylinder DIN 18252**
- e) 207-2701.03-00000 **Adapter for cutout Ø46mm**
- e) 207-2804.00-00000 **Gasket for adapter Ø46**
- e1) 207-2702.03-00000 **Adapter for cutout □46mm**
- f) 207-9595.00-00000 **Adapter for 3-point cam**
- f) 207-9596.00-00000 **Adapter for 3-point cam**
- f) 2-150 **3-Point Cam L45, Rod Control**
- g) 1-181 **Adapter for Round Rods Ø8mm PA**
- g) 1-181.01 **Adapter for Round Rods Ø8mm / Ø10mm Zinc Die**
- h) 1-170 **Round Rods with Eye**
- h) 1-180 **Round Rods for Adapter**
- i) 1-190 **Rod Guides RS**
- i) 1-191 **Height-adjustable Rod Guide RS**
- i) 1-192 **Rod Guides RS**
- i) 1-193 **Rod Guide RS**





Formula for rods with eye and rollers:
cutout in the door center (rod length varies)

$$L_1 = \frac{\text{upper rod}}{2} = \frac{2 \cdot \text{clearance} - 12 \text{ mm} [0.472]}{2 [0.079]} - 65 \text{ mm} [2.559] \quad L_2 = \frac{\text{lower rod}}{2} = \frac{2 \cdot \text{clearance} - 12 \text{ mm} [0.472]}{2 [0.079]} + 65 \text{ mm} [2.559]$$

cutout outside the door center (rod length equal)

$$L_3 = \frac{2 \cdot \text{clearance} - 12 \text{ mm} [0.472]}{2 [0.079]}$$



2-140 Profile-Cylinder DIN 18252



Avantages

- **a)**: clip-in cam 8x45° adjustable. Key removable in closed position only.
- **b)**: spring-loaded clip-in cam. Dust-shutter.
- **c)**: cam has 90° stroke, **not** clip-in. Cam length is 12.2mm. Dust-shutter.
- **d)** clip-in cam. Dust-shutter.
- **e)**: spring-loaded clip-in cam.
- **f)**: cam **not** clip-in, 360° stroke.
- **g)**: radial pin tumbler cylinder, clip-in cam.
- **h)**: insert triangular 8, the first 4mm of the insert are free rotating. Spring-loaded clip-in cam.
- **i)**: Polyamide-plug with and without spring-loaded ball.

Materials

- **a)**: brass, nickel plated
- **b), c), e) f) and g)**: zinc die, chrome plated
conical square e) and f): housing: zinc die, chrome plated, **insert:** steel, chrome plated
- **i) and d)**: PA, black
- **h): housing:** zinc die, chrome plated, **insert:** stainless steel
- **Barrel cylinder:** zinc die
- **Dust-shutter:** stainless steel



Notes

Versions b), c), d) and g) are supplied with 2, Version a) with 3 keys.

Profile-cylinder with pin tumbler cylinder, DIN 18252, 8 x 45° adjustable

	Part Number	Latching type	Clip-in	Delivery Unit
a)	211-9003.00-00000	keyed alike	No	1 pc.
a)	211-9004.00-00000	keyed different	No	1 pc.

Profile-cylinder with key cylinder

	Part Number	Latching type	Closing stroke	Clip-in	Delivery Unit
b)	211-9101.00-00000	keyed different		Yes	1 pc.
b)	211-9102.00-00000	keyed alike DIRAK 1333		Yes	1 pc.
b)	511-9102.00-00000	keyed alike DS200		Yes	1 pc.
c)	211-9301.00-00000	keyed different	90°	No	1 pc.
c)	211-9302.00-00000	keyed alike DIRAK 1333	90°	No	1 pc.
c)	511-9302.00-00000	keyed alike DS200	90°	No	1 pc.

Profile-cylinder PA with key cylinder

	Part Number	Latching type	Clip-in	Delivery Unit
d)	211-9113.00-00000	keyed alike DIRAK 1333	Yes	1 pc.
d)	211-9115.00-00000	keyed different (dual entry)	Yes	1 pc.

Profile-cylinder with insert

	Part Number	Insert	Closing stroke	Clip-in	Delivery Unit
e)	211-9202.00-00000	Square 6mm		Yes	1 pc.
e)	211-9203.00-00000	Square 7mm		Yes	1 pc.
e)	211-9204.00-00000	Square 8mm		Yes	1 pc.
e)	211-9205.00-00000	Square 8mm, slotted		Yes	1 pc.
e)	211-9206.00-00000	Triangular 7mm		Yes	1 pc.
e)	211-9207.00-00000	Triangular 8mm		Yes	1 pc.
e)	211-9208.00-00000	Double bit 3mm pin		Yes	1 pc.
e)	211-9209.00-00000	Double bit 5mm pin		Yes	1 pc.
e)	211-9210.00-00000	Triangular 6.5mm CNOMO		Yes	1 pc.
e)	211-9211.00-00000	Socket hex. 10mm		Yes	1 pc.
e)	211-9212.00-00000	Slotted 2x4mm		Yes	1 pc.
e)	211-9213.00-00000	Daimler Benz type		Yes	1 pc.
e)	211-9214.00-00000	Crown type		Yes	1 pc.
e)	211-9215.00-00000	Square socket 6mm		Yes	1 pc.
e)	211-9216.00-00000	Square socket 7mm		Yes	1 pc.
e)	211-9217.00-00000	Square socket 8mm		Yes	1 pc.
e)	211-9218.00-00000	Slotted recessed coinproof		Yes	1 pc.
e)	211-9219.00-00000	Half-round czech		Yes	1 pc.
e)	211-9220.00-00000	Hex. Belcore 7/16"		Yes	1 pc.
e)	211-9235.00-00000	Conical square 9mm		Yes	1 pc.
f)	211-9203.00-00001	Square 7mm	360°	No	1 pc.
f)	211-9204.00-00001	Square 8mm	360°	No	1 pc.
f)	211-9206.00-00001	Triangular 7mm	360°	No	1 pc.
f)	211-9207.00-00001	Triangular 8mm	360°	No	1 pc.
f)	211-9208.00-00001	Double bit 3mm pin	360°	No	1 pc.
f)	211-9209.00-00001	Double bit 5mm pin	360°	No	1 pc.
f)	211-9212.00-00001	Slotted 2x4mm	360°	No	1 pc.
f)	211-8057.00-00000	Conical square 9mm	360°	No	1 pc.

Profile-cylinder with radial pin tumbler cylinder

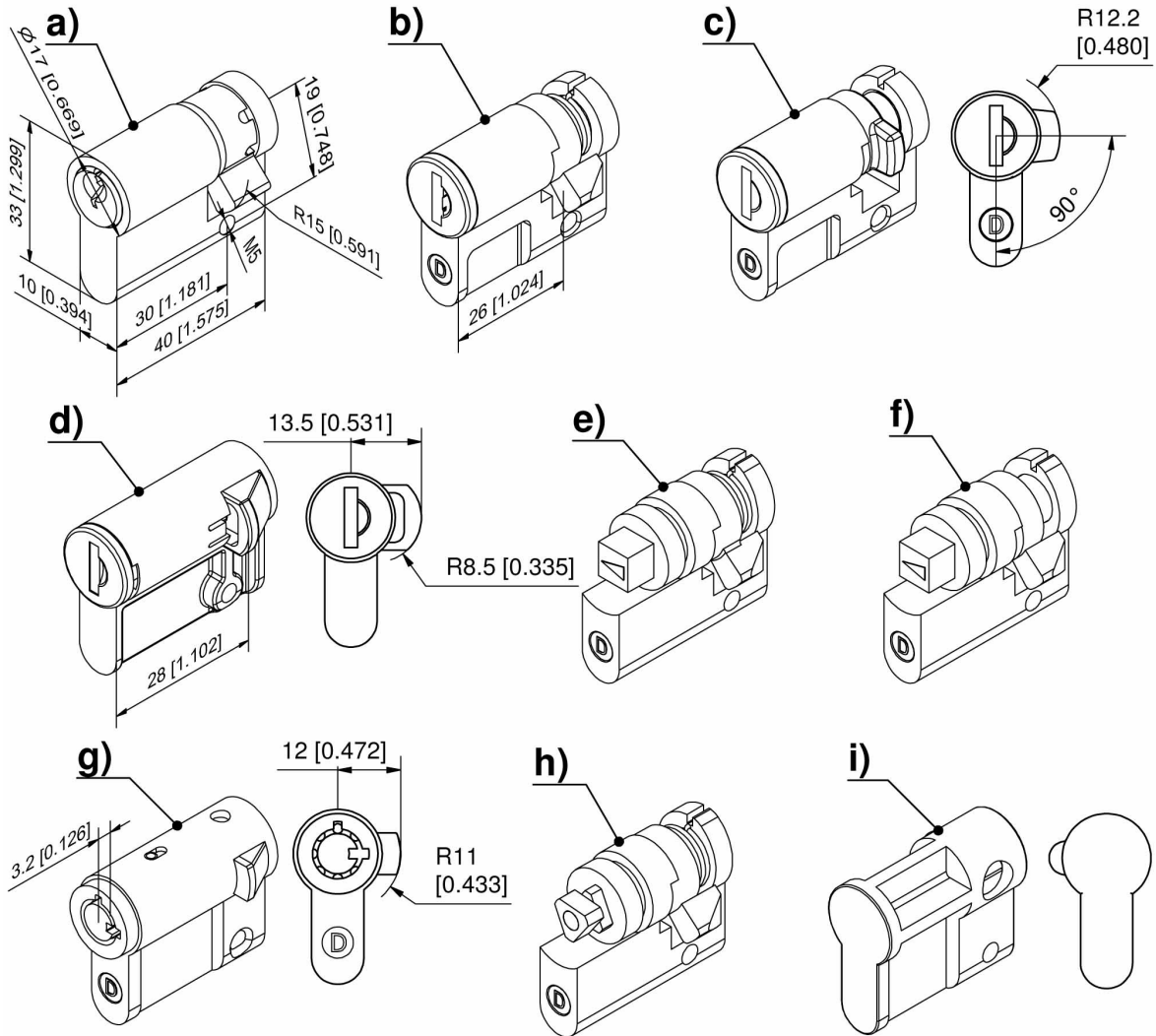
	Part Number	Locking	Latching type	Clip-in	Delivery Unit
g)	211-9106.00-00000	Push button	keyed different	Yes	1 pc.
g)	211-9107.00-00000	Push button	keyed alike DIRAK D0205	Yes	1 pc.

Profile-cylinder with security insert

	Part Number	Insert	Clip-in	Delivery Unit
h)	211-9244.00-00000	Security insert with free rotating 8mm triangular front part	Yes	1 pc.

Profile-cylinder with blind plug

	Part Number	Name	Clip-in	Delivery Unit
i)	211-0401.03-00000	Blind plug without spring-loaded ball	No	1 pc.
i)	211-9201.00-00000	Blind plug with spring-loaded ball	Yes	1 pc.



CLOSING THUMB 8-WAY ADJUSTABLE

211-9003.00-00000
211-9004.00-00000

