



3-150 Swinghandle FS PrC for PHZ



Avantages

- Swinghandle for profile-cylinder according to DIN 18252.
- Lockable with 40mm / 45mm profile-cylinder with 45° locking cam.
- Variants with additional padlock eye.
- Version with cylinder cover is securable with wire padlock.
- IP65 according to DIN EN 60529 - version dish with cap.
- Dish with hook version is secured outside the sealed area.
- RH / LH application.
- Grounding by grounding clip (optional).

Materials

- **Swinghandle:** zinc die, black or PA, black
- **Dish:** zinc die, black or PA, black

Notes

(S) Door-thickness 1.5 - 2.5mm
The swinghandles can be retrofitted with sliding cap product system 2-091.



Swinghandle PA for PHZ

	Part Number	Latching type	Dish	IP protection	Cylinder cover material	Securable	Installation type	Delivery Unit
a)	207-9201.00-00000	PHZ 40mm	with cap	IP65			screw-on	1 pc.
a)	207-9202.00-00000	PHZ 40mm	with cap	IP65	PA	Yes	screw-on	1 pc.
b)	207-9204.00-00000	PHZ 40mm	with hook				screw-on	1 pc.
b)	207-9206.00-00000	PHZ 40mm	with hook		PA	Yes	screw-on	1 pc.
a)	207-9203.00-00000	PHZ 45mm	with cap	IP65	PA	Yes	screw-on	1 pc.
b)	207-9205.00-00000	PHZ 45mm	with hook				screw-on	1 pc.
b)	207-9207.00-00000	PHZ 45mm	with hook		PA	Yes	screw-on	1 pc.

Swinghandle zinc die, dish PA for profile-cylinder

	Part Number	Latching type	Dish	IP protection	Cylinder cover material	Securable	Installation type	Delivery Unit
a)	207-9297.00-00000	PHZ 40mm	with cap	IP65			screw-on	1 pc.
a)	207-9296.00-00000	PHZ 40mm	with cap	IP65	PA	Yes	screw-on	1 pc.
b)	107-9273.00-00000	PHZ 40mm	with hook				screw-on	1 pc.
a)	207-9298.00-00000	PHZ 45mm	with cap	IP65	PA	Yes	screw-on	1 pc.

Swinghandle PA for PHZ and padlock

	Part Number	Latching type	Dish	IP protection	Padlock bolt	Installation type	Delivery Unit
c)	207-9208.00-00000	PHZ 40mm	with cap	IP65	Yes	screw-on	1 pc.
c)	207-9209.00-00000	PHZ 40mm	with hook		Yes	screw-on	1 pc.

Swinghandle zinc die, dish zinc die for profile-cylinder

	Part Number	Latching type	Dish	IP protection	Cylinder cover material	Securable	Installation type	Delivery Unit
a)	107-9209.00-00000	PHZ 40mm	with cap	IP65	zinc die	Yes	screw-on	1 pc.

Function

+ extension

e) 3-011 **Grounding Clip Stainless Steel**

* Accessories

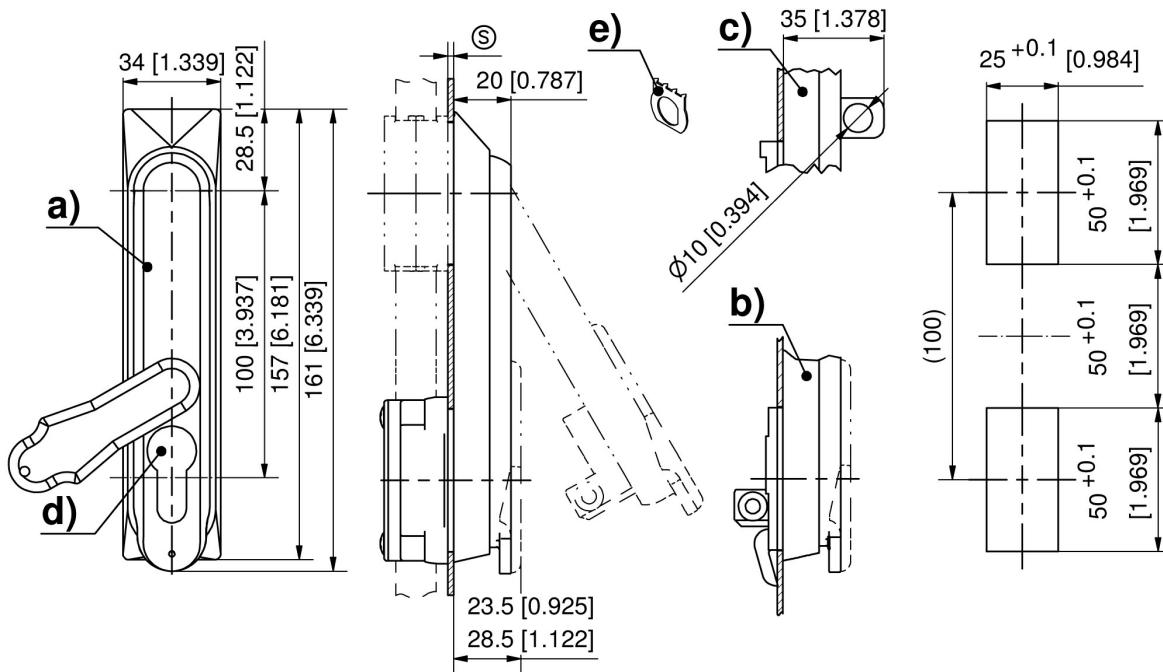
d) 2-140 **Profile-Cylinder DIN 18252**

3-130 **Rod Latch FS PrC**

3-132.02 **Rod Latch RS PrC**

3-165 **Rod Latch FS PrC and Angle Pieces with Rollers**

3-170 **Rod Latch for Multi-Point Locking FS PrC**





2-140 Profile-Cylinder DIN 18252



Avantages

- **a)**: clip-in cam 8x45° adjustable. Key removable in closed position only.
- **b)**: spring-loaded clip-in cam. Dust-shutter.
- **c)**: cam has 90° stroke, **not** clip-in. Cam length is 12.2mm. Dust-shutter.
- **d)** clip-in cam. Dust-shutter.
- **e)**: spring-loaded clip-in cam.
- **f)**: cam **not** clip-in, 360° stroke.
- **g)**: radial pin tumbler cylinder, clip-in cam.
- **h)**: insert triangular 8, the first 4mm of the insert are free rotating. Spring-loaded clip-in cam.
- **i)**: Polyamide-plug with and without spring-loaded ball.

Materials

- **a)**: brass, nickel plated
- **b), c), e) f) and g)**: zinc die, chrome plated
conical square e) and f): housing: zinc die, chrome plated, **insert:** steel, chrome plated
- **i) and d)**: PA, black
- **h): housing:** zinc die, chrome plated, **insert:** stainless steel
- **Barrel cylinder:** zinc die
- **Dust-shutter:** stainless steel



Notes

Versions b), c), d) and g) are supplied with 2, Version a) with 3 keys.

Profile-cylinder with pin tumbler cylinder, DIN 18252, 8 x 45° adjustable

	Part Number	Latching type	Clip-in	Delivery Unit
a)	211-9003.00-00000	keyed alike	No	1 pc.
a)	211-9004.00-00000	keyed different	No	1 pc.

Profile-cylinder with key cylinder

	Part Number	Latching type	Closing stroke	Clip-in	Delivery Unit
b)	211-9101.00-00000	keyed different		Yes	1 pc.
b)	211-9102.00-00000	keyed alike DIRAK 1333		Yes	1 pc.
b)	511-9102.00-00000	keyed alike DS200		Yes	1 pc.
c)	211-9301.00-00000	keyed different	90°	No	1 pc.
c)	211-9302.00-00000	keyed alike DIRAK 1333	90°	No	1 pc.
c)	511-9302.00-00000	keyed alike DS200	90°	No	1 pc.

Profile-cylinder PA with key cylinder

	Part Number	Latching type	Clip-in	Delivery Unit
d)	211-9113.00-00000	keyed alike DIRAK 1333	Yes	1 pc.
d)	211-9115.00-00000	keyed different (dual entry)	Yes	1 pc.

Profile-cylinder with insert

	Part Number	Insert	Closing stroke	Clip-in	Delivery Unit
e)	211-9202.00-00000	Square 6mm		Yes	1 pc.
e)	211-9203.00-00000	Square 7mm		Yes	1 pc.
e)	211-9204.00-00000	Square 8mm		Yes	1 pc.
e)	211-9205.00-00000	Square 8mm, slotted		Yes	1 pc.
e)	211-9206.00-00000	Triangular 7mm		Yes	1 pc.
e)	211-9207.00-00000	Triangular 8mm		Yes	1 pc.
e)	211-9208.00-00000	Double bit 3mm pin		Yes	1 pc.
e)	211-9209.00-00000	Double bit 5mm pin		Yes	1 pc.
e)	211-9210.00-00000	Triangular 6.5mm CNOMO		Yes	1 pc.
e)	211-9211.00-00000	Socket hex. 10mm		Yes	1 pc.
e)	211-9212.00-00000	Slotted 2x4mm		Yes	1 pc.
e)	211-9213.00-00000	Daimler Benz type		Yes	1 pc.
e)	211-9214.00-00000	Crown type		Yes	1 pc.
e)	211-9215.00-00000	Square socket 6mm		Yes	1 pc.
e)	211-9216.00-00000	Square socket 7mm		Yes	1 pc.
e)	211-9217.00-00000	Square socket 8mm		Yes	1 pc.
e)	211-9218.00-00000	Slotted recessed coinproof		Yes	1 pc.
e)	211-9219.00-00000	Half-round czech		Yes	1 pc.
e)	211-9220.00-00000	Hex. Belcore 7/16"		Yes	1 pc.
e)	211-9235.00-00000	Conical square 9mm		Yes	1 pc.
f)	211-9203.00-00001	Square 7mm	360°	No	1 pc.
f)	211-9204.00-00001	Square 8mm	360°	No	1 pc.
f)	211-9206.00-00001	Triangular 7mm	360°	No	1 pc.
f)	211-9207.00-00001	Triangular 8mm	360°	No	1 pc.
f)	211-9208.00-00001	Double bit 3mm pin	360°	No	1 pc.
f)	211-9209.00-00001	Double bit 5mm pin	360°	No	1 pc.
f)	211-9212.00-00001	Slotted 2x4mm	360°	No	1 pc.
f)	211-8057.00-00000	Conical square 9mm	360°	No	1 pc.

Profile-cylinder with radial pin tumbler cylinder

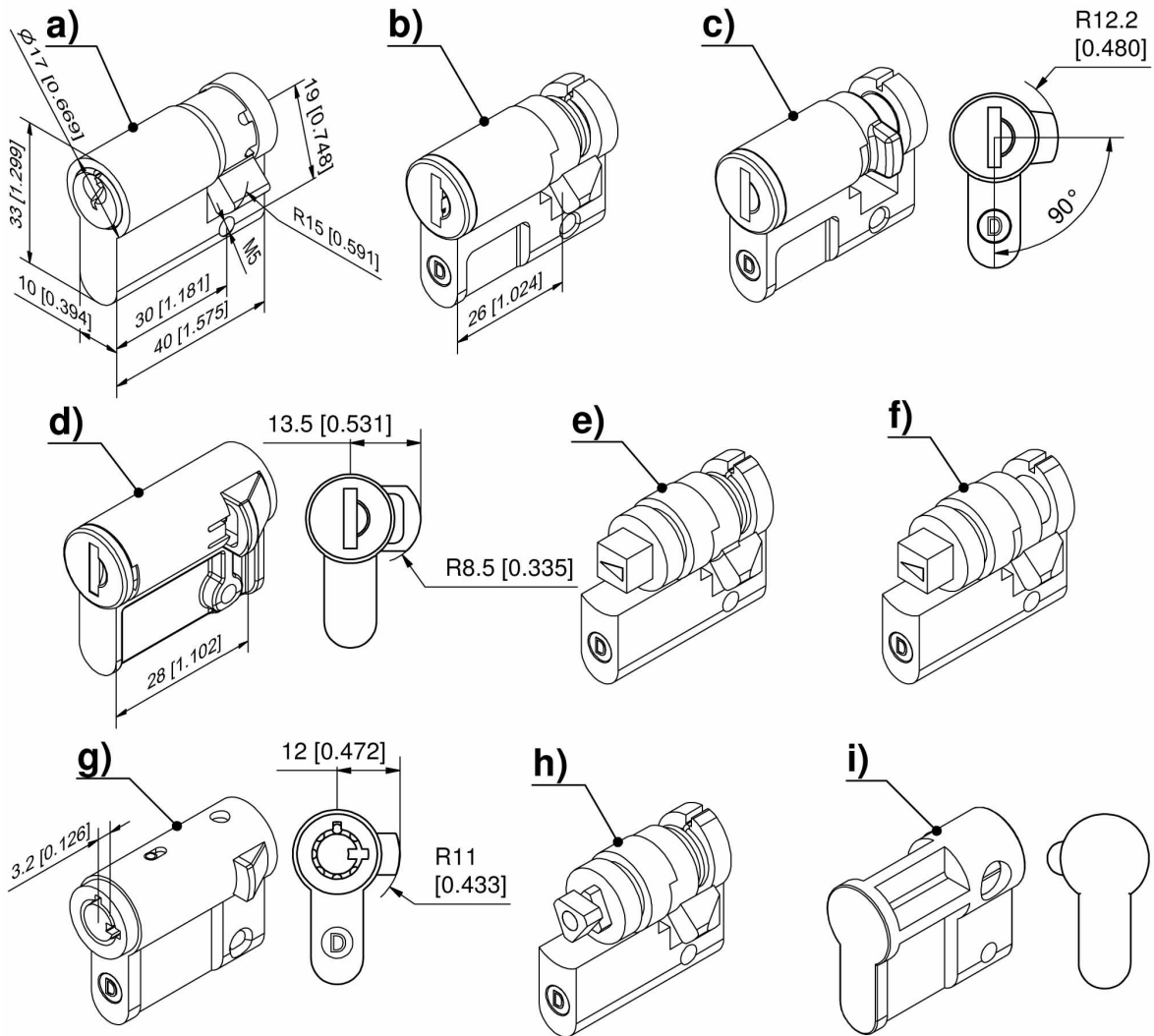
	Part Number	Locking	Latching type	Clip-in	Delivery Unit
g)	211-9106.00-00000	Push button	keyed different	Yes	1 pc.
g)	211-9107.00-00000	Push button	keyed alike DIRAK D0205	Yes	1 pc.

Profile-cylinder with security insert

	Part Number	Insert	Clip-in	Delivery Unit
h)	211-9244.00-00000	Security insert with free rotating 8mm triangular front part	Yes	1 pc.

Profile-cylinder with blind plug

	Part Number	Name	Clip-in	Delivery Unit
i)	211-0401.03-00000	Blind plug without spring-loaded ball	No	1 pc.
i)	211-9201.00-00000	Blind plug with spring-loaded ball	Yes	1 pc.



CLOSING THUMB 8-WAY ADJUSTABLE

211-9003.00-00000
211-9004.00-00000

