



## 6-1000.01 Bridge Handle PA

RoHS  
WEEE

### Advantages

- For vertical or horizontal applications.
- Resistant to dirt and easy to clean due to sloping surfaces and transition radii.
- Corrosion-resistant.
- Screws are covered by plugs.
- Plugs clip into the handle tool-less.

### Materials

Handle and plugs: PA, grey (RAL 7001) or black, matt

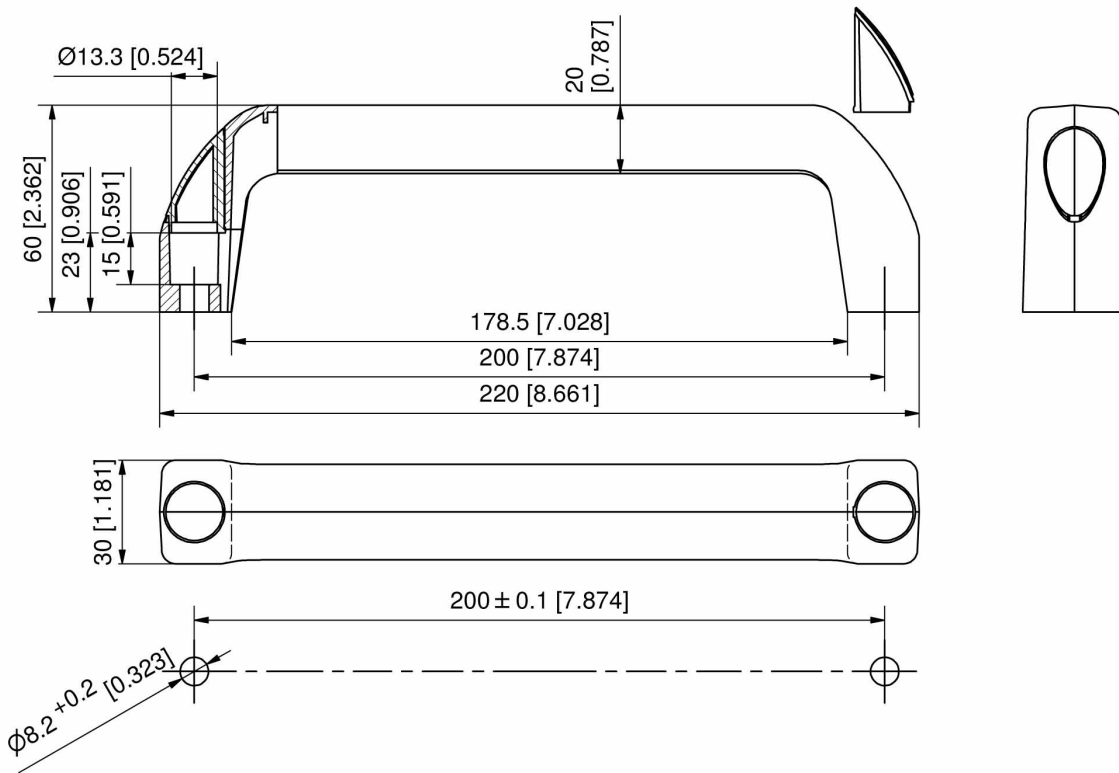
### Remarks

Fastening with M8 cylinder head screws DIN7984.



## Polyamide handle complete, with 2 plugs

| Part Number       | Surface       | L      | L1     | L2       | H     | Installation type | Delivery Unit |
|-------------------|---------------|--------|--------|----------|-------|-------------------|---------------|
| 352-2151.03-00000 | grey RAL 7001 | 200 mm | 220 mm | 178.5 mm | 60 mm | screw-on          | 10 pcs.       |
| 352-2151.03-00001 | black         | 200 mm | 220 mm | 178.5 mm | 60 mm | screw-on          | 10 pcs.       |





## Additional information

### **Dimensions of PA Handles**

All dimensions are to be understood as nominal dimensions in the assembled condition. Due to post-shrinkage, relaxation and moisture absorption depending on potential influences (e.g. temperature, humidity, etc.), the dimensional accuracy may deviate in the delivery / storage condition without affecting the assembly of the article.