



7-106 Round Rods Stainless Steel



Avantages

- Round rods with standard or customized lengths, different versions.

Materials

- **Round rods and rivet:** AISI 304
- **Rollers:** PA, black

Notes

Order example for round rods with eye and rollers, length L=840mm: 201-9026.00-00840
Bushing g) only for round rods a), b), c) and e)
Attention: dimension L measured to top of roller!



Round rods with rollers Ø 8mm for adapter

	Part Number	Length	Delivery Unit
a)	201-9010.00-00000	600 mm	1 pc.
a)	201-9011.00-00000	700 mm	1 pc.
a)	201-9012.00-00000	800 mm	1 pc.
a)	201-9013.00-00000	900 mm	1 pc.
a)	201-9014.00-00000	1000 mm	1 pc.
a)	201-9015.00-00000	1100 mm	1 pc.
a)	201-9016.00-00000	1200 mm	1 pc.

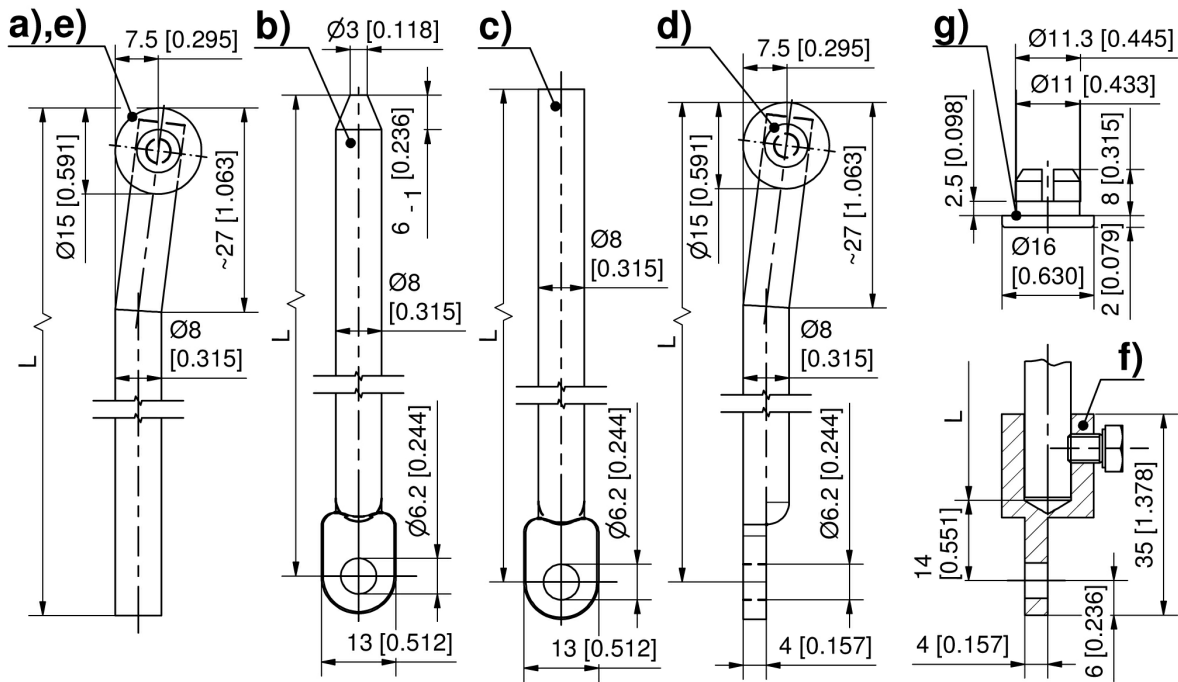
Round rods Ø 8mm, variable length

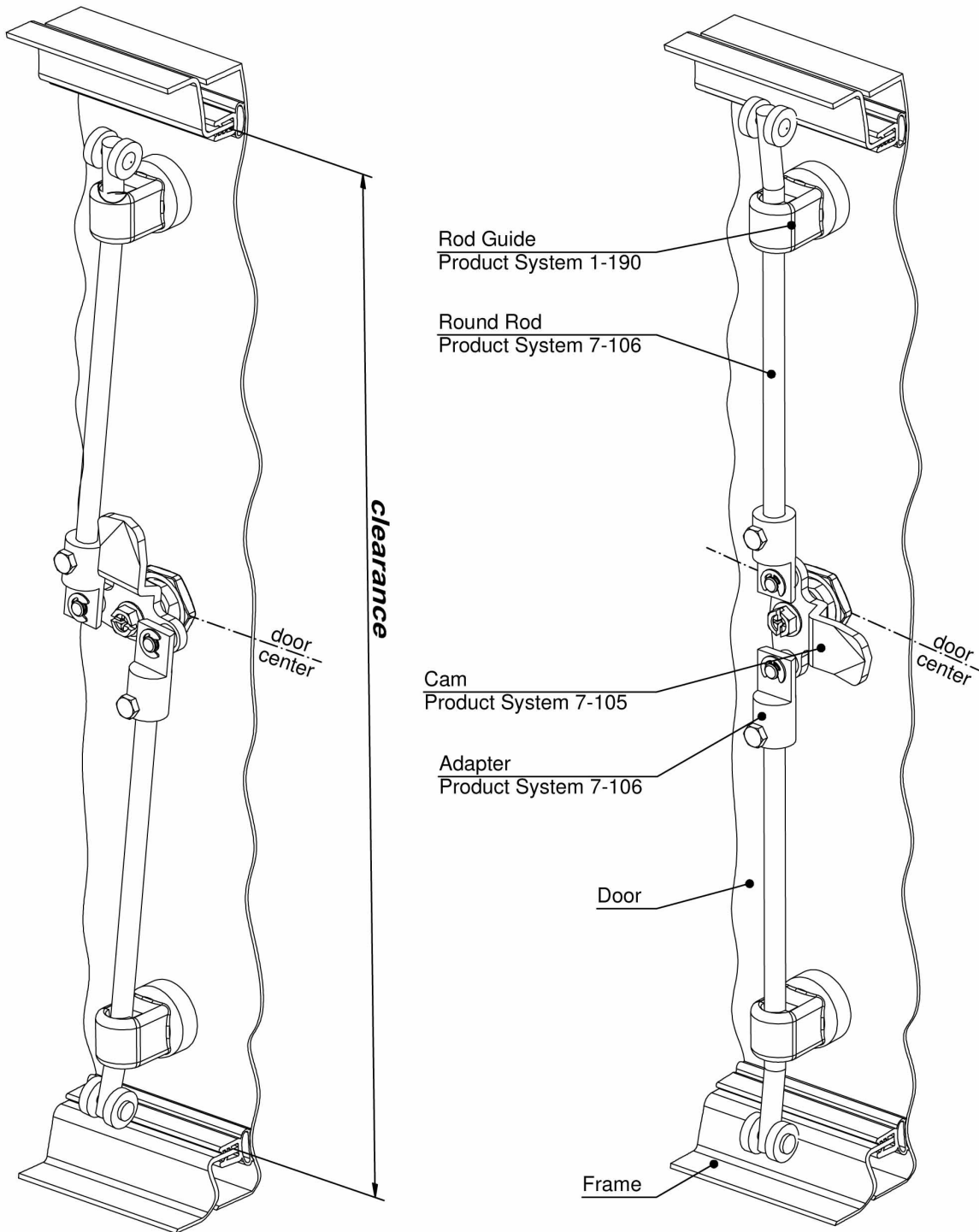
	Part Number	Version	Delivery Unit
b)	201-0111.04-Lxxmm	with eye and chamfered end	on request
c)	201-0112.04-Lxxmm	with eye and flat end	on request
d)	201-9026.00-Lxxmm	with eye and rollers	on request
e)	201-9037.00-Lxxmm	with rollers, for adapter	on request

f) 200-9603.00-00000 **Adapter for Round Rods Ø8mm Stainless Steel**

g) 203-0605.03-00000 **Bushing Ø8**

200-9621.00-00000 **Adapter for Round Rods Ø8mm PA**





For custom length rods as product system 7-106 the length L for rod control at the door center is:

$$L = \frac{\text{clearance} - 12\text{mm} [0.472]}{2 [0.079]}$$