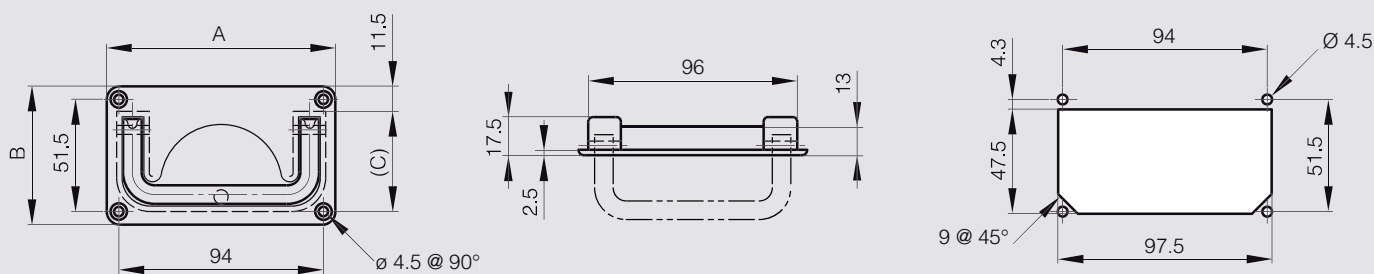


Flush handles 105 x 63.5 mm

This handle has 2 detents at 0° and 90°.
 Maximum load: 100 kg/pair.
 Handle is chrome plated.
 Delivered unassembled.
 Assembled version: upon request.



Part number	Material	Finish	A	B	C	Weight (g)
19-7-3605	aluminium	raw	105	63.5	17.5	123

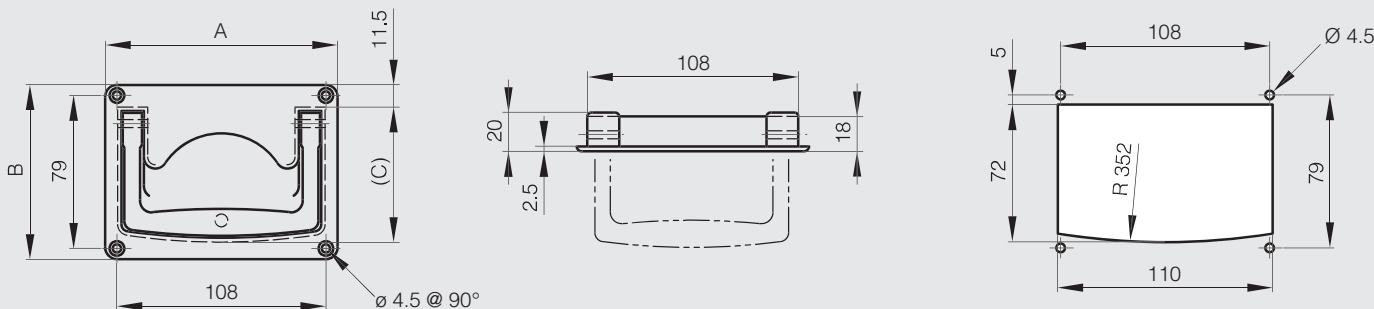


Flush handle 120 x 91 mm

This handle has 2 detents at 0° and 90°.
 Maximum load: 100 kg/pair.
 Delivered unassembled.
 Assembled version: upon request.



Part number	Material	Finish	A	B	C	Weight (g)
19-7-3338	aluminium	raw	120	91	71.5	145

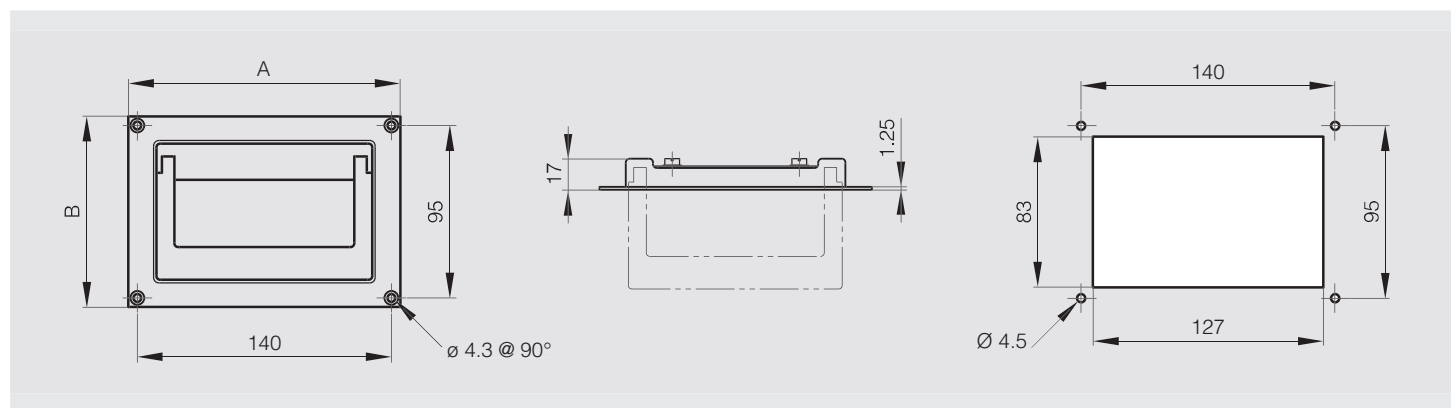


Flush handle 150 x 105 mm

This handle has 2 detents at 0° and 90°.
 Maximum load: 100 kg/pair.
 Delivered unassembled.
 Cut-out dimension: 83 x 127.

STEEL 

Part number	Material	Finish	A	B	Weight (g)
19-7-3606	steel	zinc plated	150	105	450

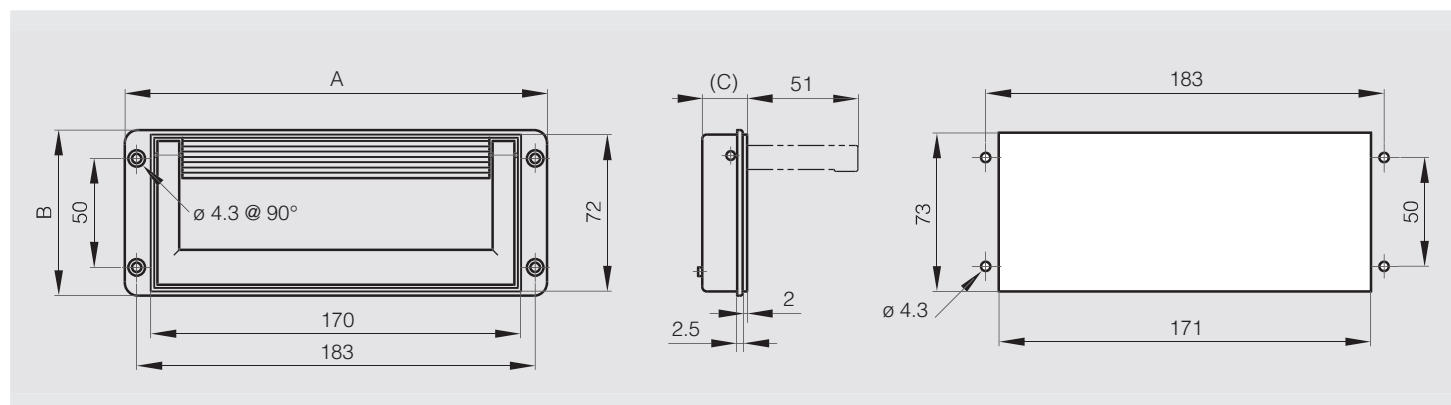


Flush handle 194 x 76 mm

This handle has 2 detents at 0° and 90°.
 Maximum load: 100 kg/pair.

ZAMAK 

Part number	Material	Finish	A	B	C	Weight (g)
19-7-3643	zinc die-cast	silver varnish / black	194	76	20.5	310





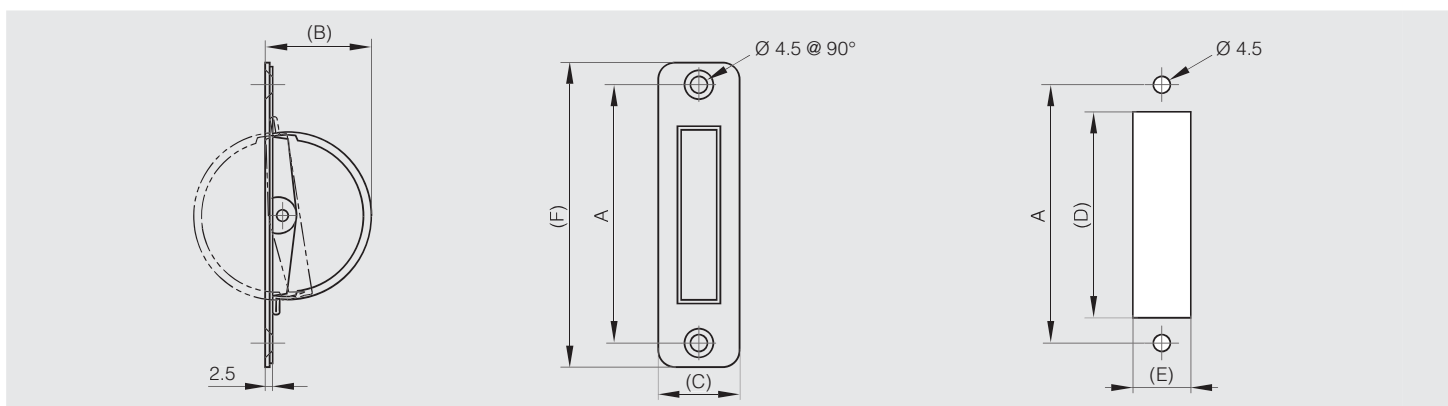
Flush handles

Screw-on flush handles

Retractable flush handles in stainless steel



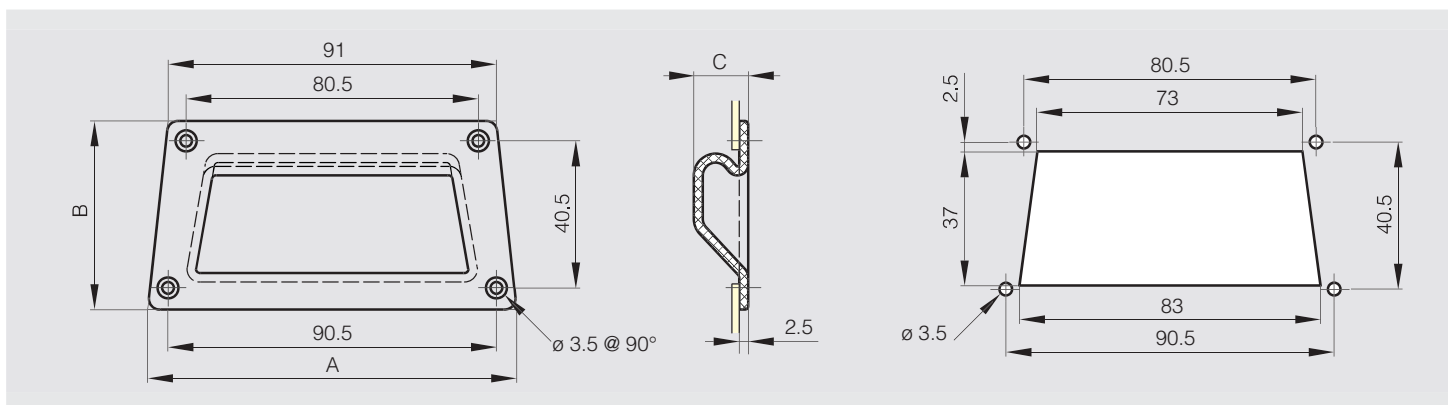
Part number	Material	Finish	A	B	C	D	E	F	Weight (g)
19-7-3813	304 stainless steel	satin	76	36	24	60	18	90	46
19-7-3814	304 stainless steel	satin	94	42	24	72	18	110	55



Screw-on flush handle 101 x 52 mm



Part number	Material	Finish	A	B	C	Weight (g)
19-7-3642	ABS	grey	101	52	15	20

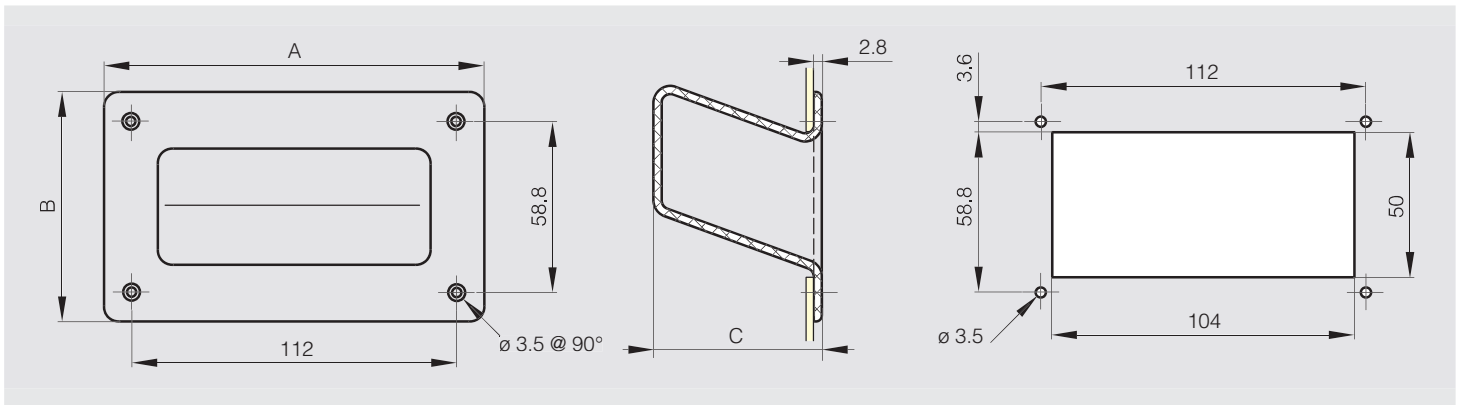


Screw-on flush handles

Screw-on flush handle 131 x 79 mm



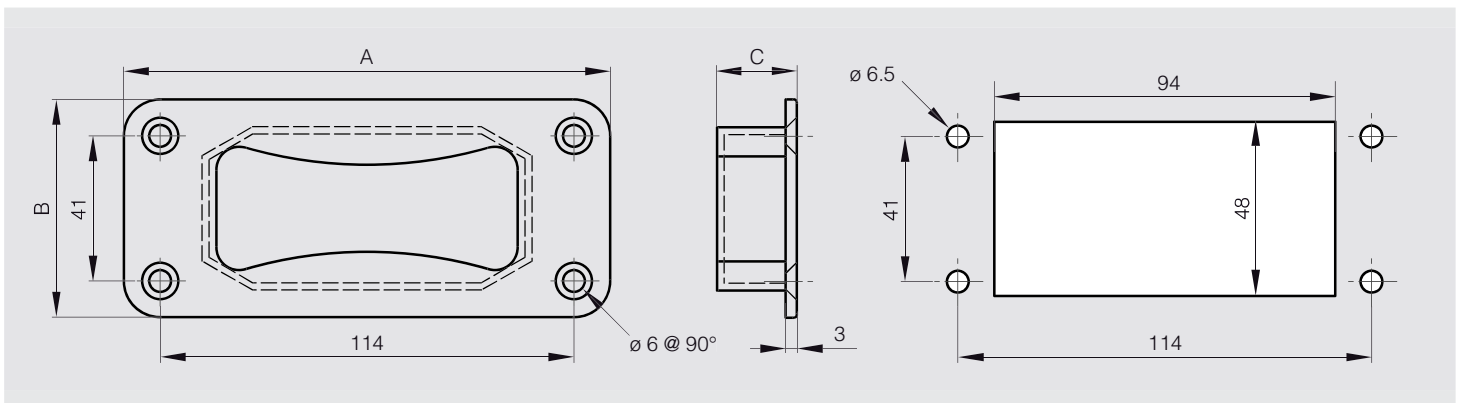
Part number	Material	Finish	A	B	C	Weight (g)
19-7-3667	ABS	black	131	79	58	45



Screw-on recessed grab handle



Part number	Material	Finish	A	B	C	Weight (g)
19-1-3815	polyamide	black	133	60	22	47



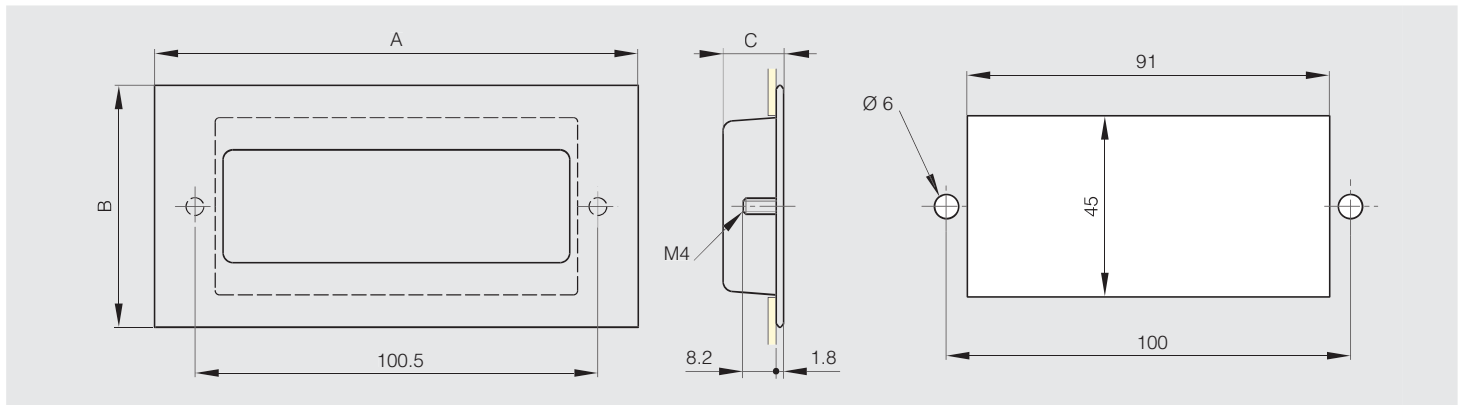


Screw-on flush handles

Bolt-on flush handle 120 x 60 mm

STAINLESS STEEL RoHS

Part number	Material	Finish	A	B	C	Weight (g)
19-7-3831	304 stainless steel	satin	120	60	15	54



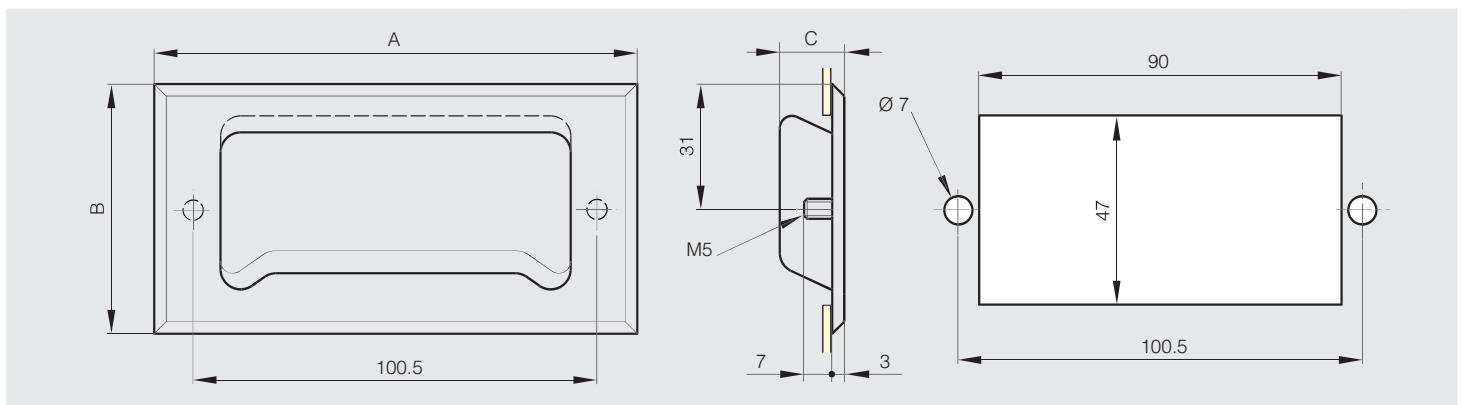
Bolt-on flush handle 120 x 62 mm

STAINLESS STEEL

Bolt in copper plated steel.

Produced mainly in stainless steel, for a complete description of the materials contact us.

Part number	Material	Finish	A	B	C	Weight (g)
19-7-3832	304 stainless steel	satin	120	62	16	60

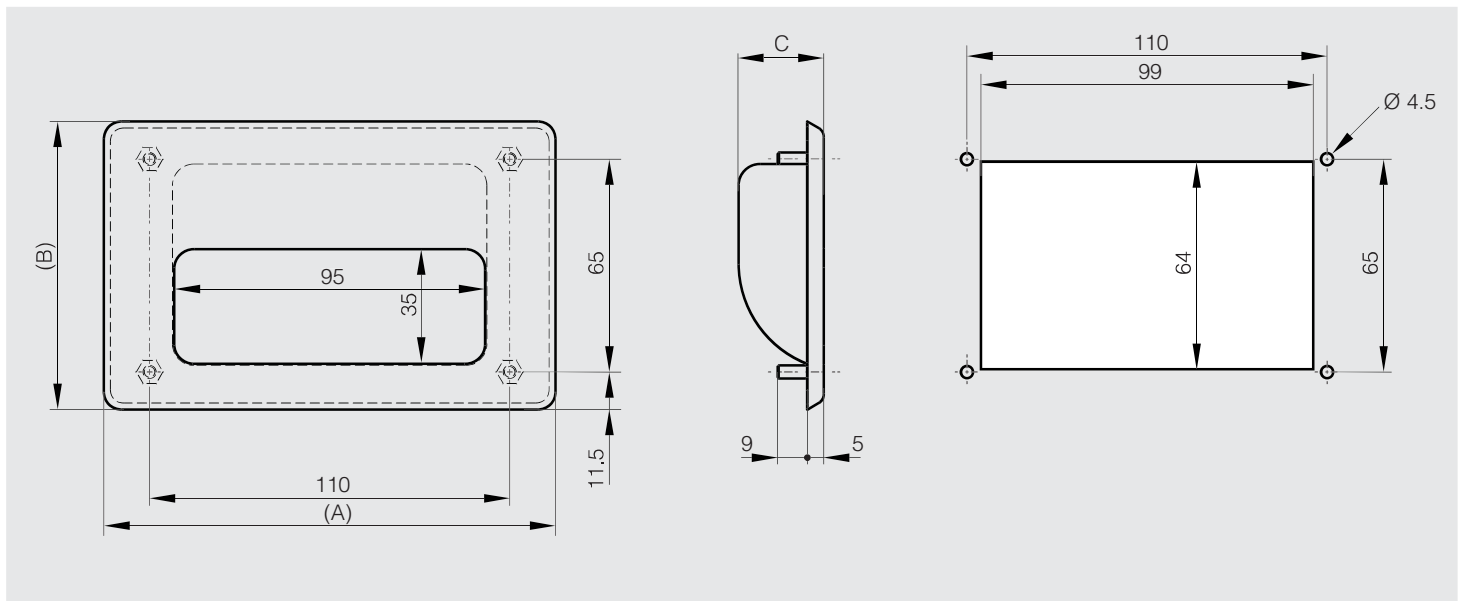


Bolt-on flush handle 138 x 88 mm

Stud in 304 stainless steel.



Part number	Material	Finish	A	B	C	Weight (g)
19-7-3845	304 stainless steel	satin	138	88	26	170





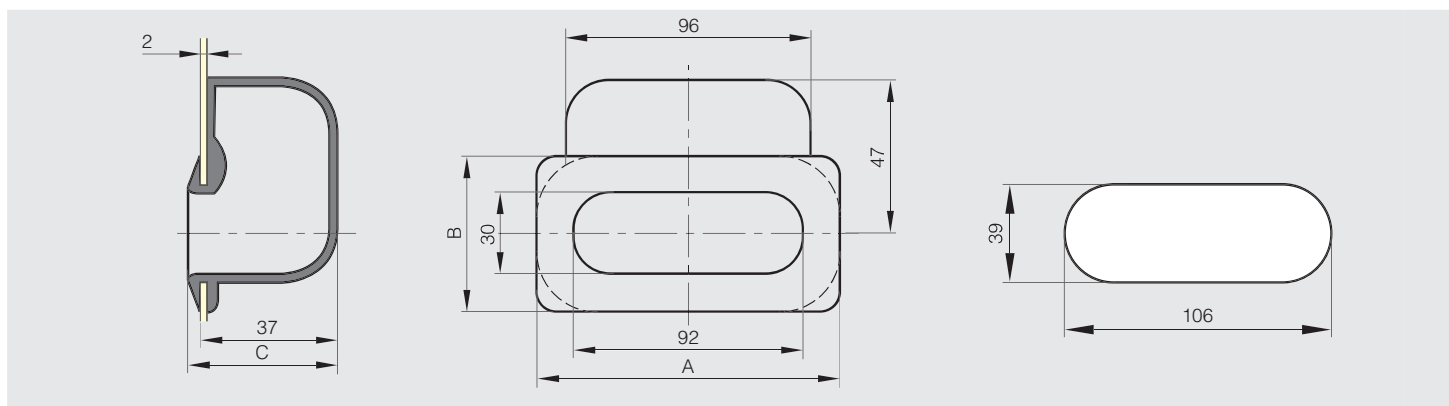
Snap-in flush handles

Recessed handle in elastomer

Snap-in in the cut-out.



Part number	Material	Finish	A	B	C	Weight (g)
19-7-3838	elastomer	black	120	58	43	95

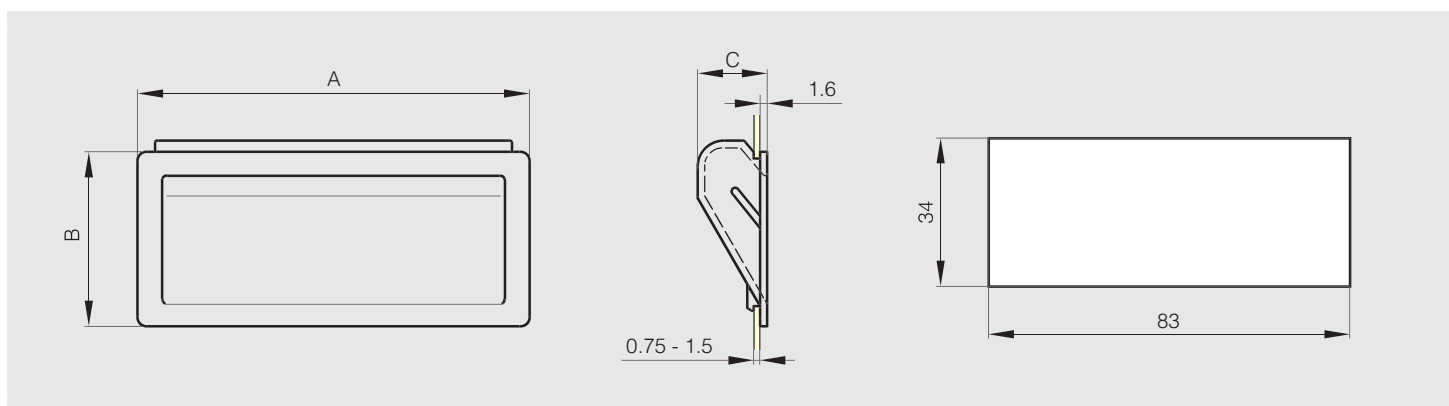


Snap-in flush handle 90 x 40 mm

Door thickness: 0.75 to 1.5 mm.



Part number	Material	Finish	A	B	C	Weight (g)
19-1-3687	ABS	black	90	40	16	11



Snap-in flush handles

Snap-in flush handles 137.4 x 37.4 mm or 140 x 36 mm

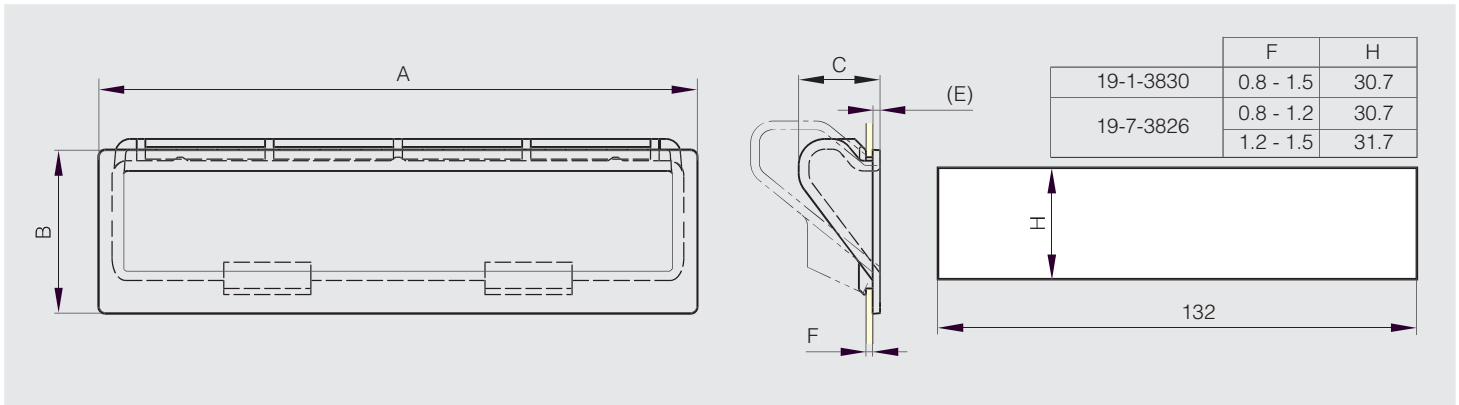
Part number 19-1-3830: cut-out 132 x 30.7 for material thickness from 0.8 to 1.5 mm.

Part number 19-7-3826: cut-out 132 x 30.7 for material thickness from 0.8 to 1.2 mm.

Part number 19-7-3826: cut-out 132 x 31.7 for material thickness from 1.2 to 1.5 mm.



Part number	Material	Finish	A	B	C	E	Weight (g)
19-1-3830	ABS	black	137.4	37.4	18.6	1.6	30
19-7-3826	polyamide	black	140	36	30	2.0	32





Flush handles

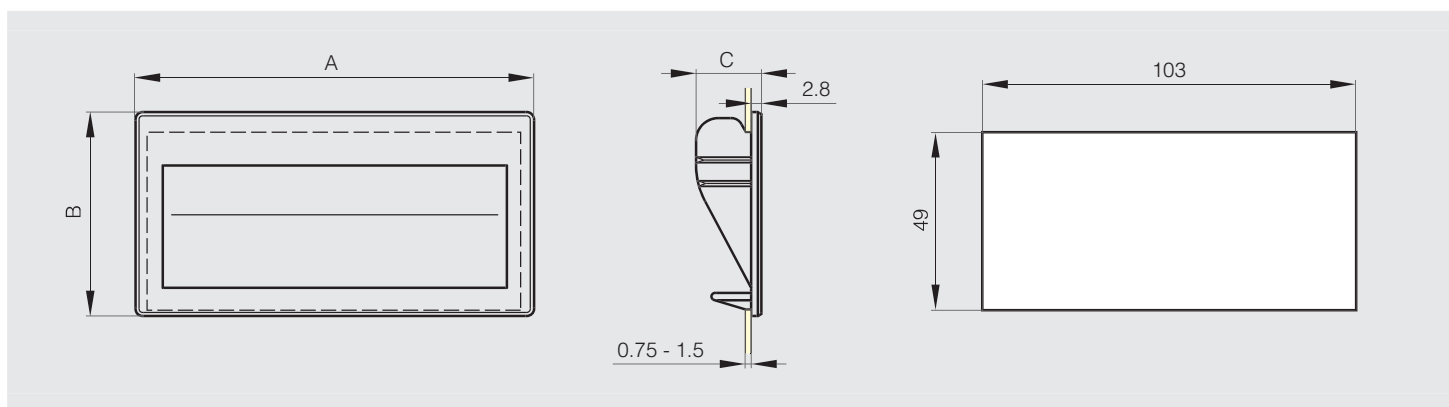
Flush handles with fixing clips

Flush handle with fixing clips 110 x 56.3 mm

Door thickness: 0.75 to 1.5 mm.
Supplied with fixing clips.



Part number	Material	Finish	A	B	C	Weight (g)
19-7-3688	ABS	black	110	56.3	18	32



Flush handle with fixing clips 187 x 79 mm

Door thickness: 1.5 to 2 mm.
Supplied with fixing clips.



Part number	Material	Finish	A	B	C	Weight (g)
19-7-3689	ABS	black	187	79	22	85

